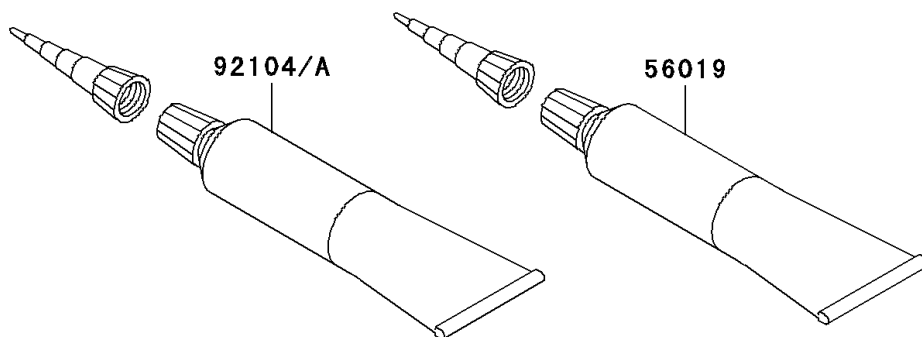
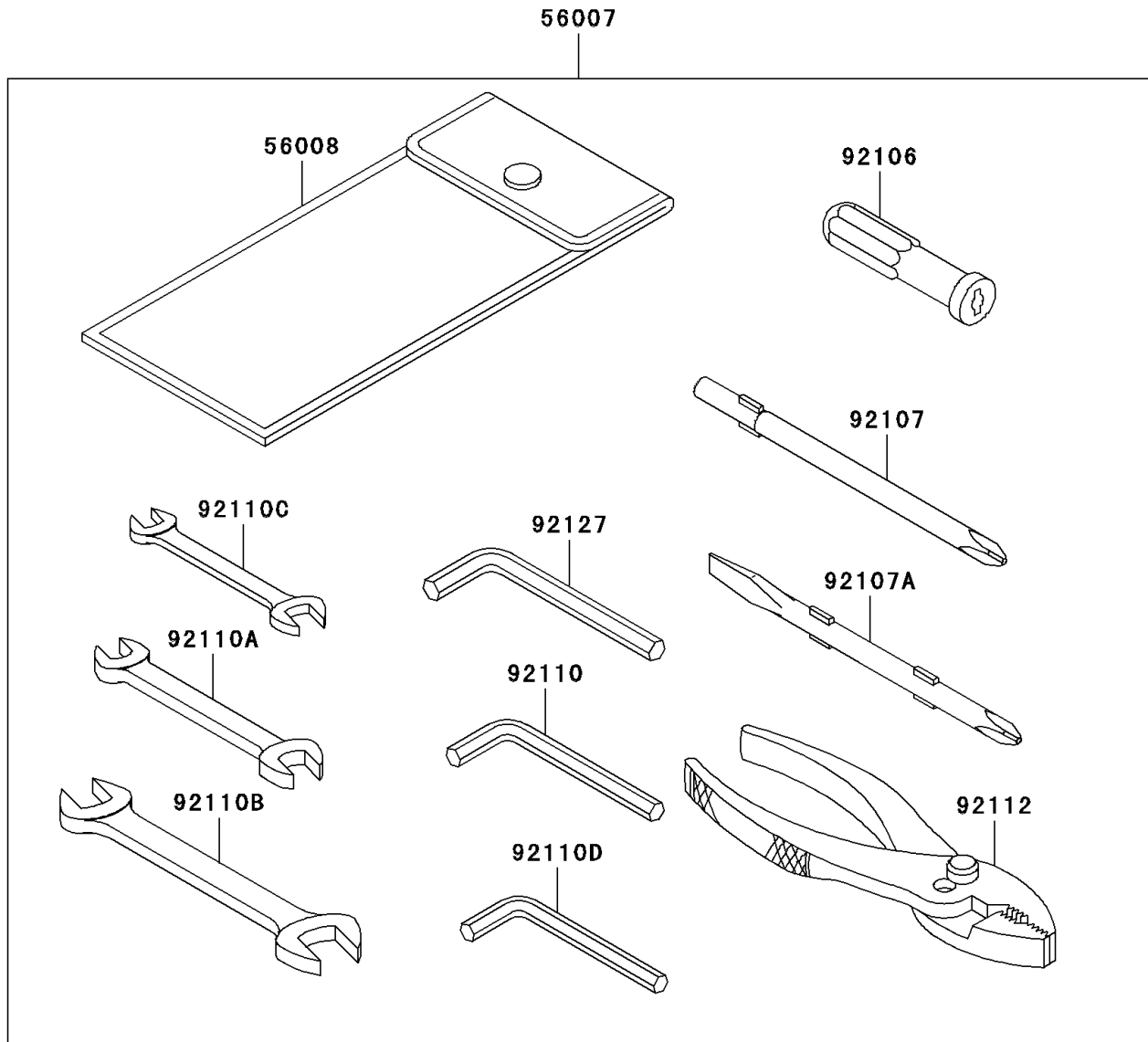


2009 Vulcan® 2000

PARTS DIAGRAM

Owner's Tools

F2810



2009 Vulcan[®] 2000

PARTS LIST

Owner's Tools

ITEM NAME

PART NUMBER

QUANTITY
