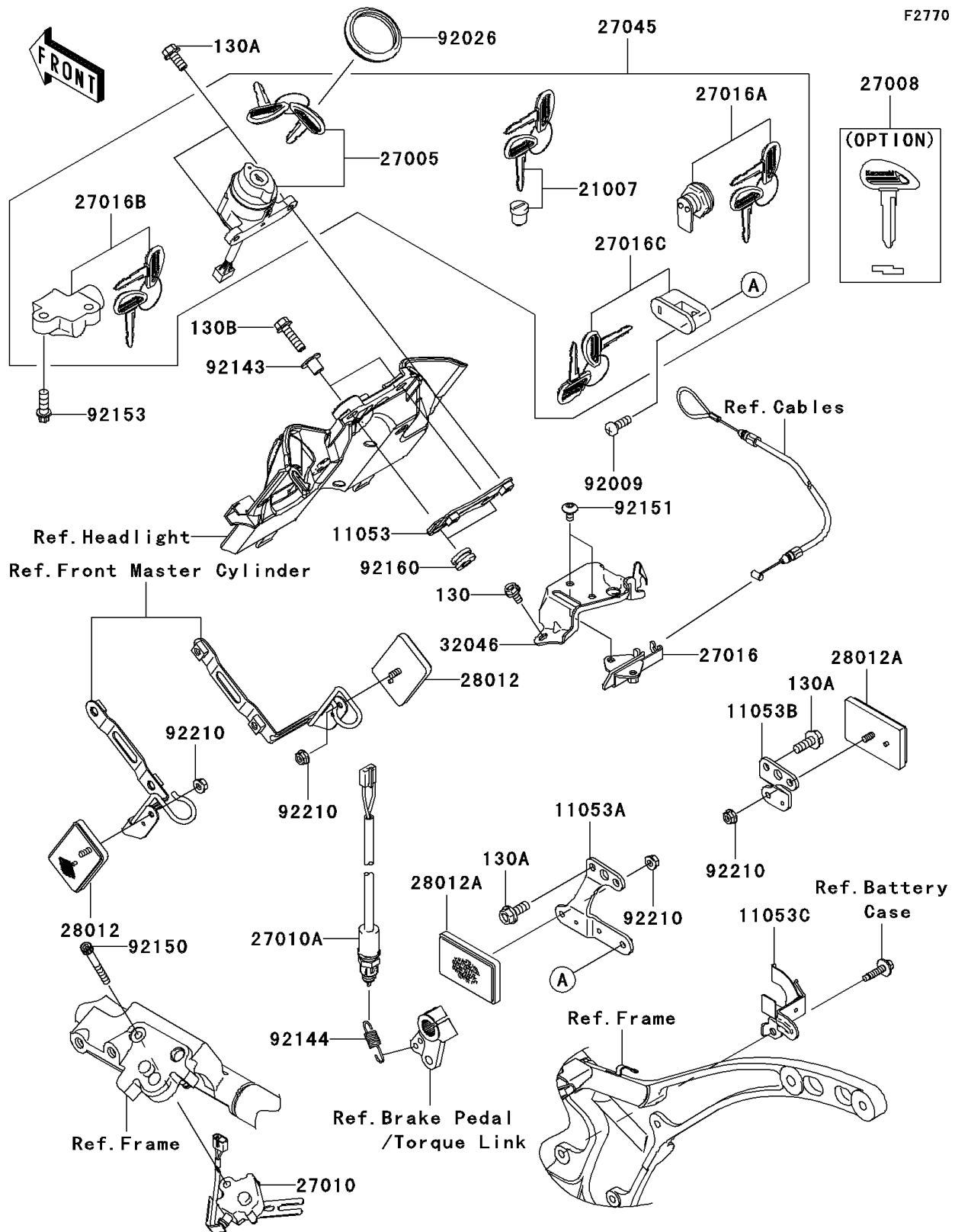


# 2009 Vulcan® 2000

## PARTS DIAGRAM

### Ignition Switch/Locks/Reflectors



# 2009 Vulcan® 2000

## PARTS LIST

### Ignition Switch/Locks/Reflectors

**ITEM NAME**

**PART NUMBER**

**QUANTITY**

---