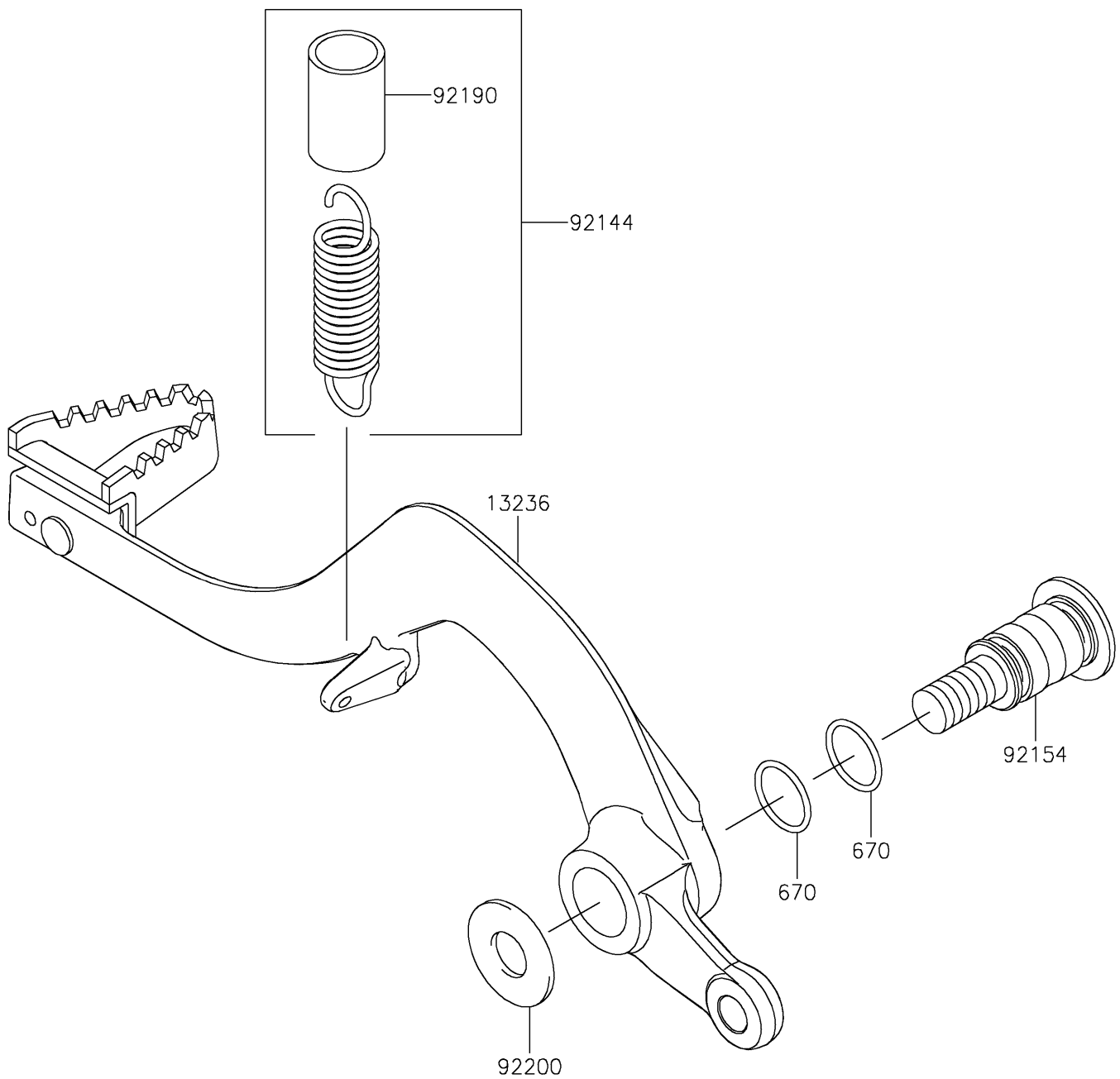


# 2023 KX™ 450SR

## PARTS DIAGRAM

### Brake Pedal

F2260



# 2023 KX™ 450SR

## PARTS LIST

### Brake Pedal

ITEM NAME	PART NUMBER	QUANTITY
LEVER-COMP,BRAKE PEDAL (Ref # 13236)	13236-0838	1
SPRING,BRAKE PEDAL RETURN (Ref # 92144)	92144-1752	1
BOLT,BRAKE PEDAL,10MM (Ref # 92154)	92154-0516	1
TUBE,13X16X25 (Ref # 92190)	92190-1488	1
WASHER,10.5X24X1.5 (Ref # 92200)	92200-0154	1
O RING,12MM (Ref # 670)	670B2012	2