

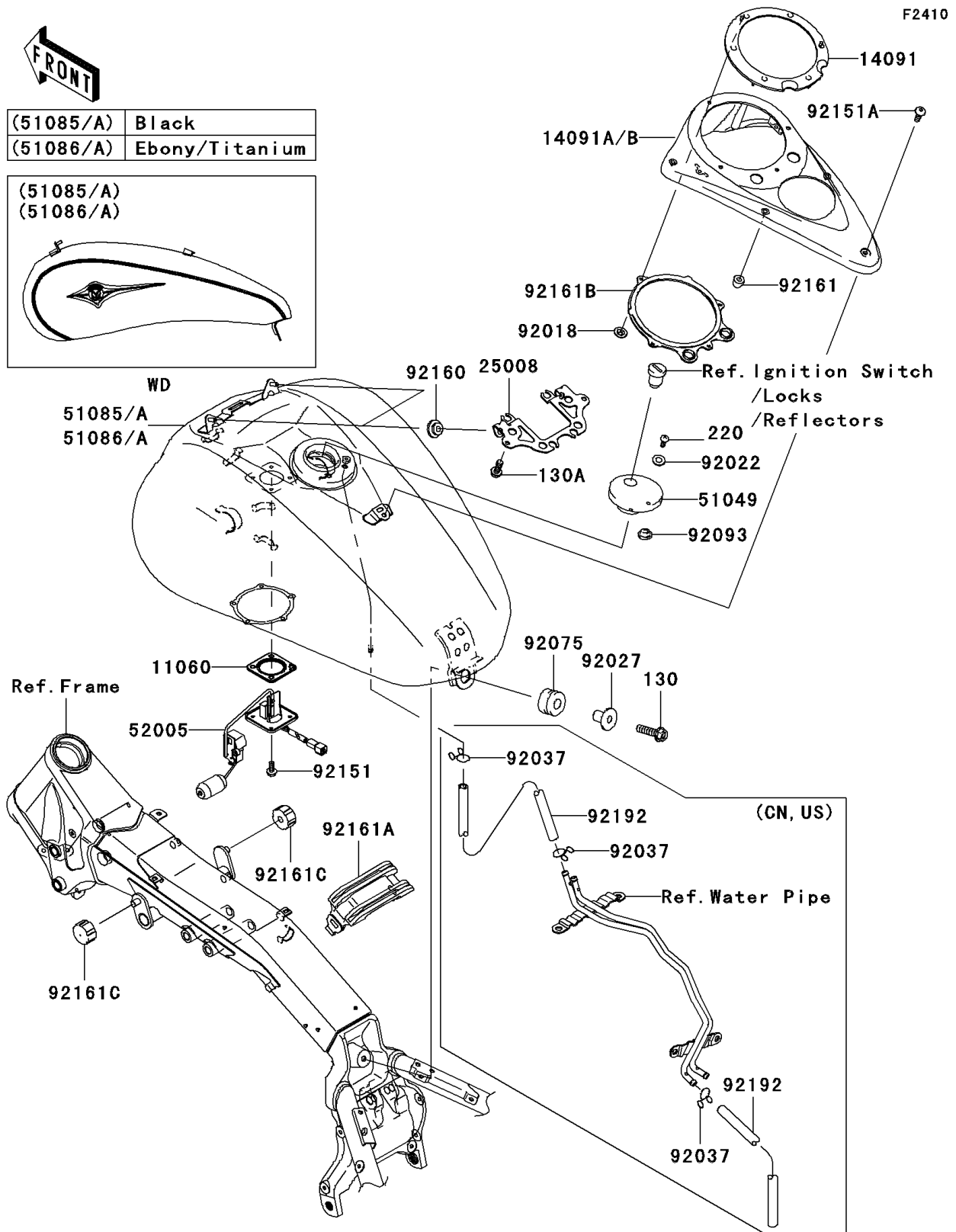
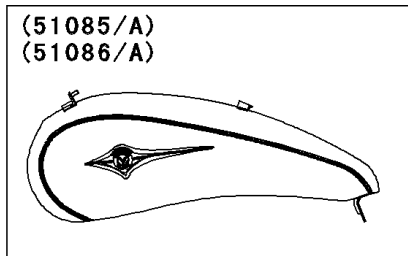
# 2009 Vulcan® 2000

## PARTS DIAGRAM

### Fuel Tank



(51085/A)	Black
(51086/A)	Ebony/Titanium



# 2009 Vulcan<sup>®</sup> 2000

## PARTS LIST

### Fuel Tank

**ITEM NAME**

**PART NUMBER**

**QUANTITY**

---