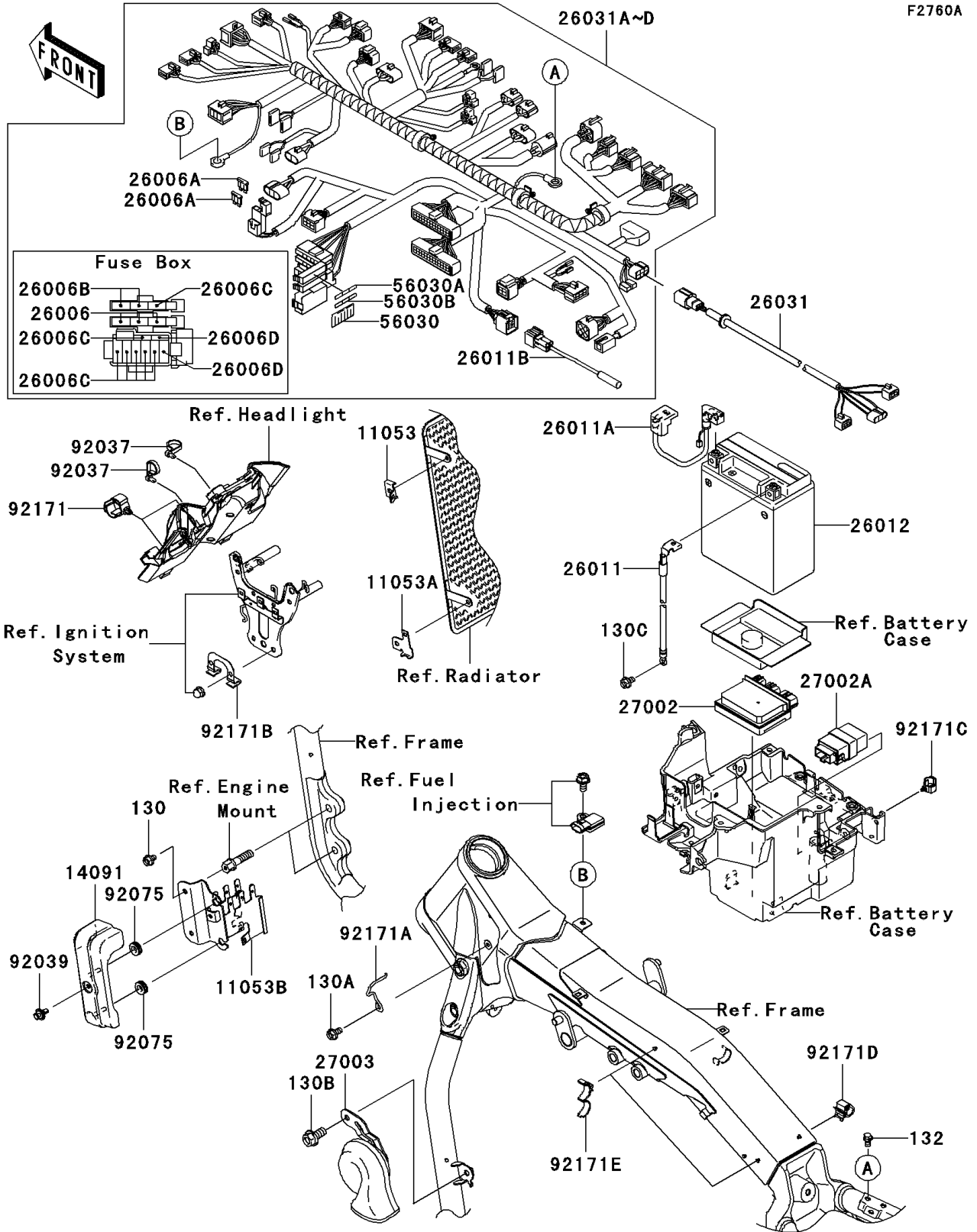


2005 Vulcan 2000

PARTS DIAGRAM

Chassis Electrical Equipment(A2)



2005 Vulcan 2000

PARTS LIST

Chassis Electrical Equipment(A2)

ITEM NAME

PART NUMBER

QUANTITY
