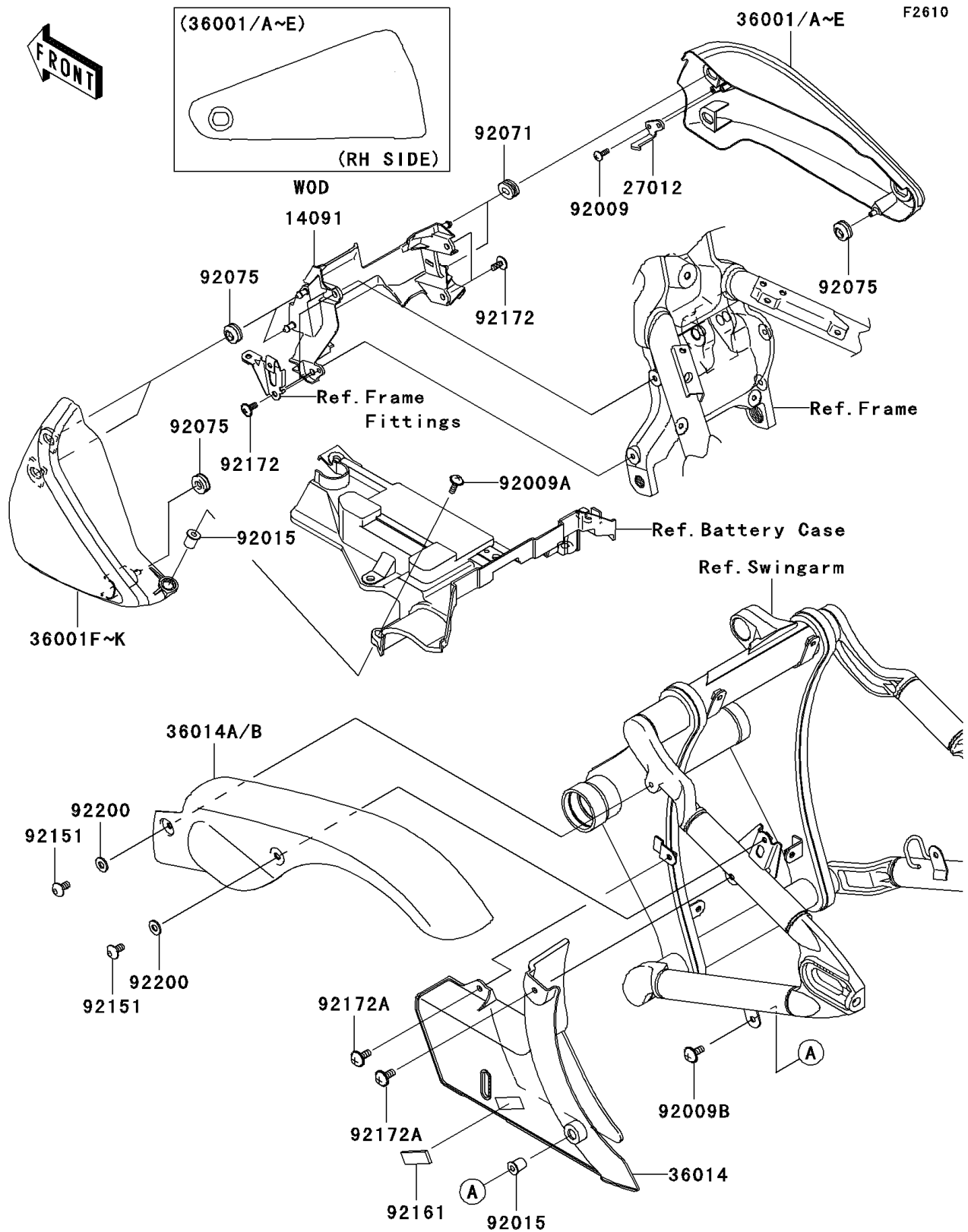


# 2005 Vulcan 2000

## PARTS DIAGRAM

### Side Covers/Chain Cover



# 2005 Vulcan 2000

## PARTS LIST

### Side Covers/Chain Cover

**ITEM NAME**

**PART NUMBER**

**QUANTITY**

---