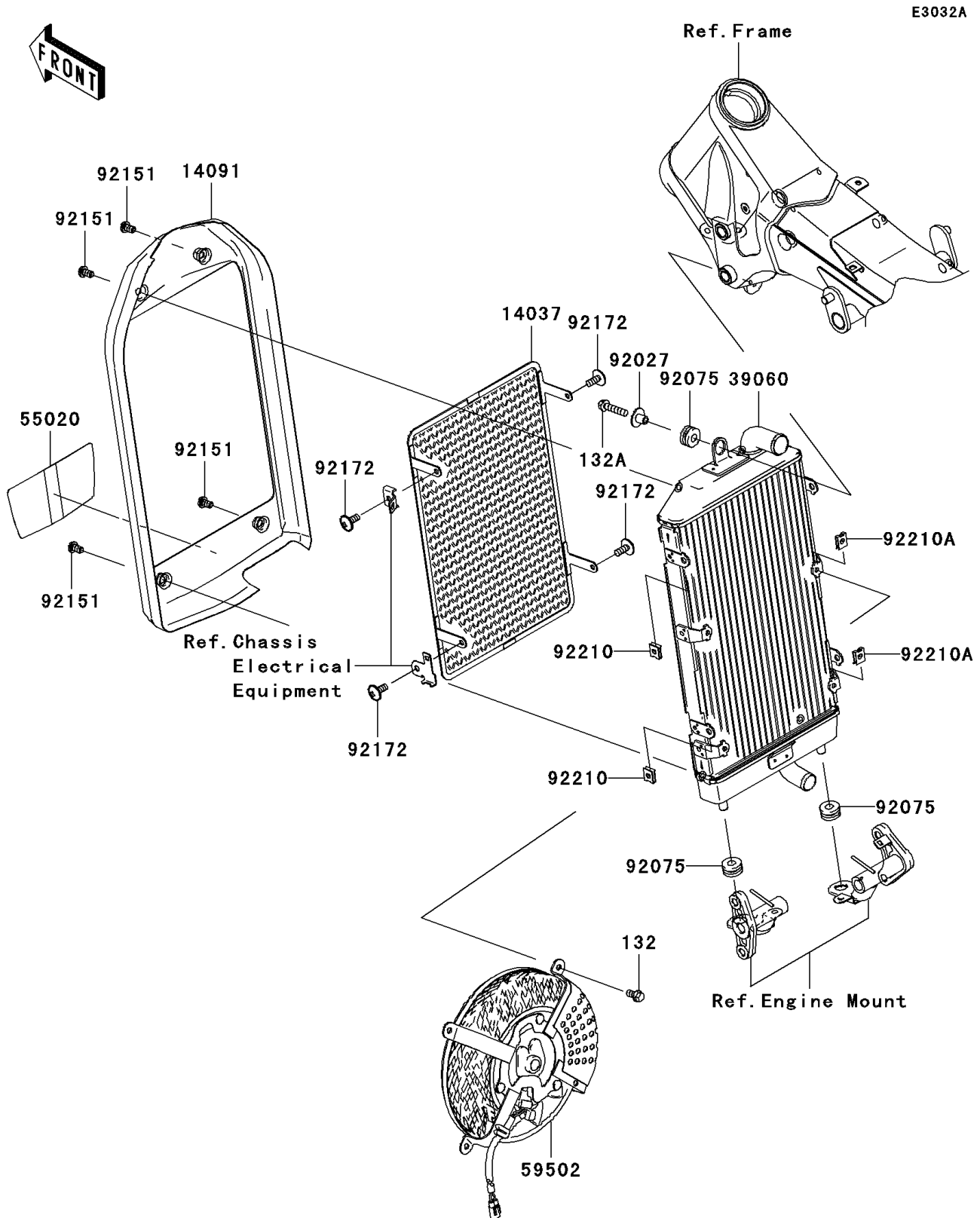


2005 Vulcan 2000

PARTS DIAGRAM

Radiator(A2)



2005 Vulcan 2000

PARTS LIST

Radiator(A2)

ITEM NAME

PART NUMBER

QUANTITY
