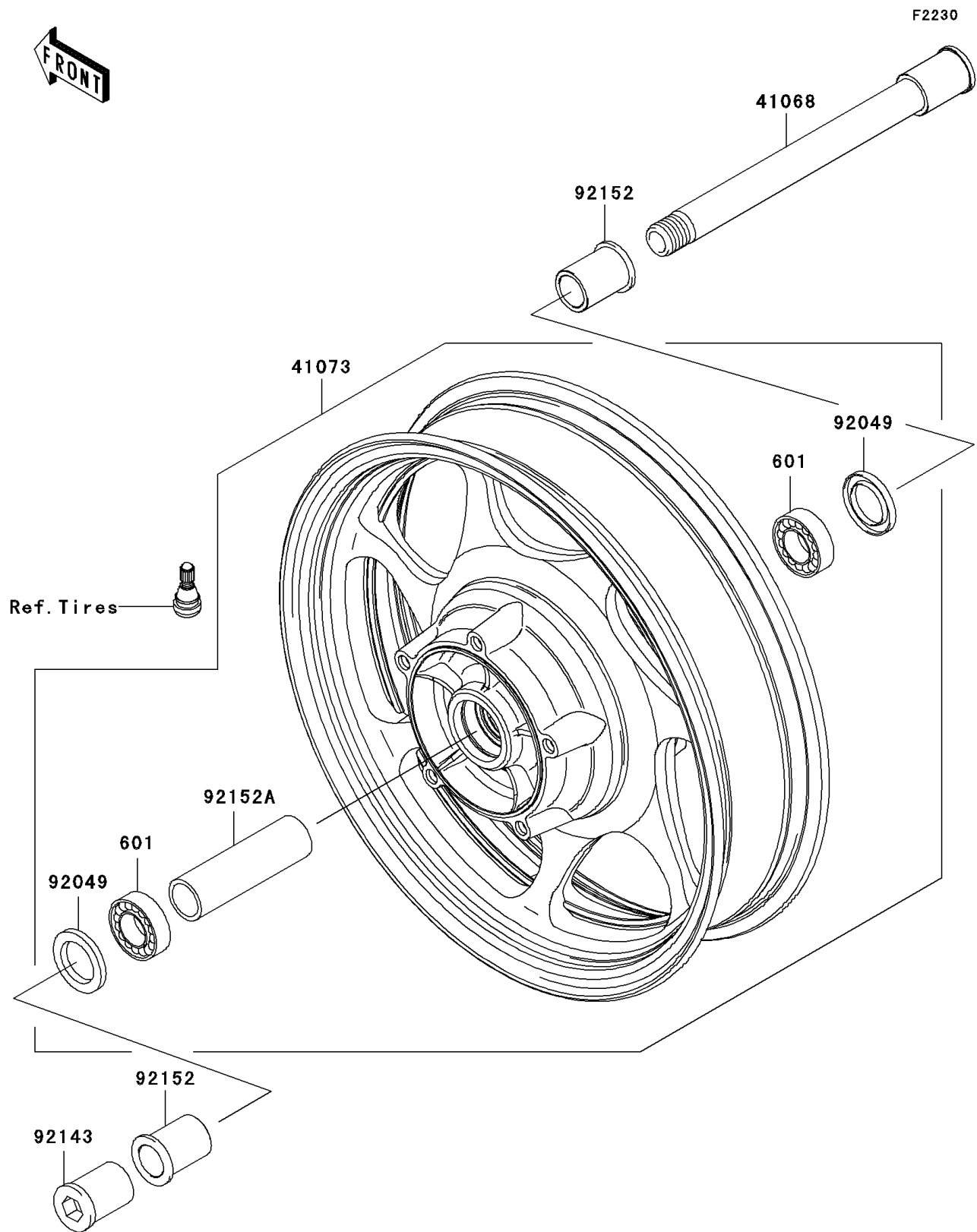


2009 Vulcan® 2000

PARTS DIAGRAM

Front Wheel



2009 Vulcan[®] 2000

PARTS LIST

Front Wheel

ITEM NAME

PART NUMBER

QUANTITY
