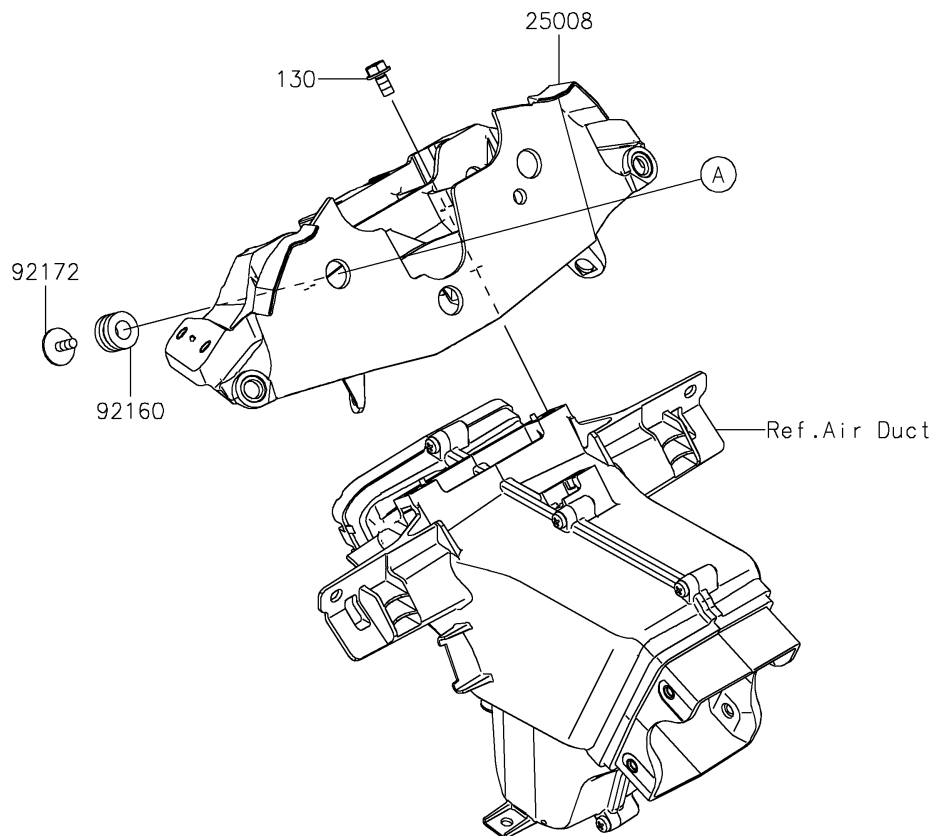
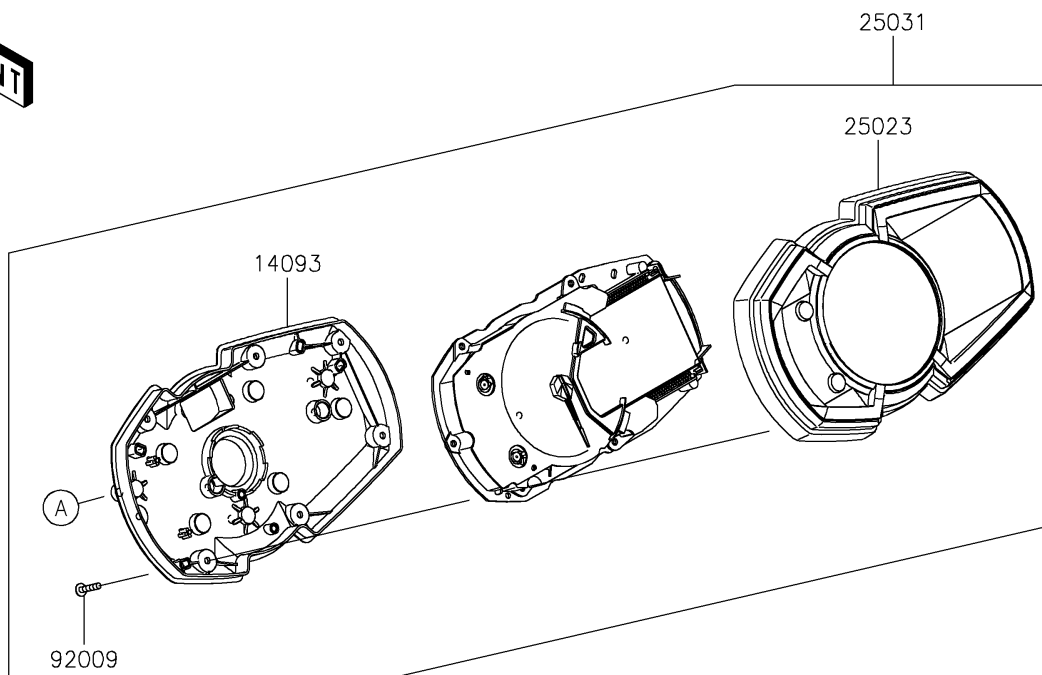


2022 Ninja ZX-6R ABS KRT Edition (CA)

PARTS DIAGRAM

Meter(s)

F2530



2022 Ninja ZX-6R ABS KRT Edition (CA)



PARTS LIST

Meter(s)

ITEM NAME	PART NUMBER	QUANTITY
-----------	-------------	----------
