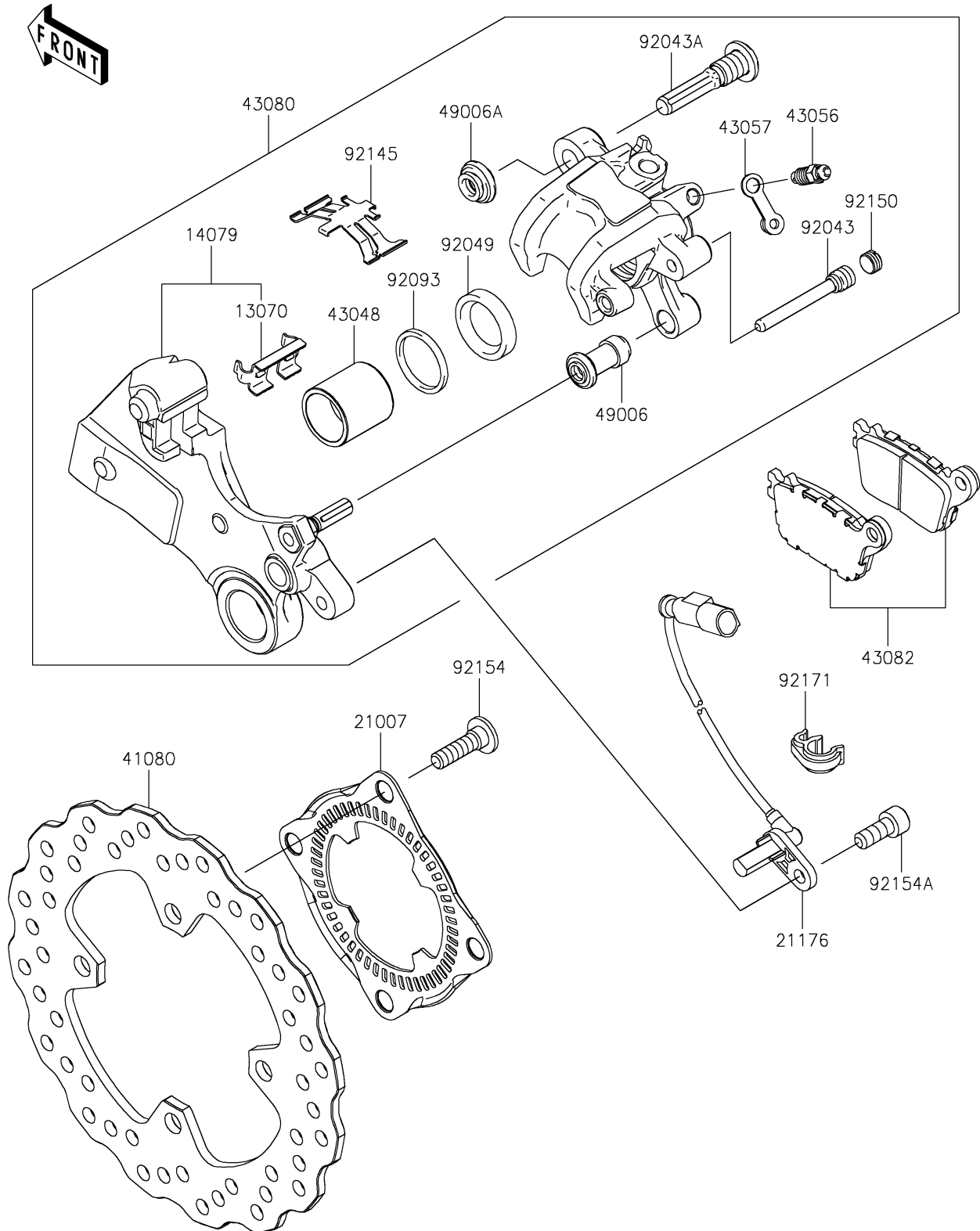


# 2022 Ninja ZX-6R ABS KRT Edition

## PARTS DIAGRAM

### Rear Brake

F2294



# 2022 Ninja ZX-6R ABS KRT Edition



## PARTS LIST

### Rear Brake

ITEM NAME	PART NUMBER	QUANTITY
-----------	-------------	----------

---