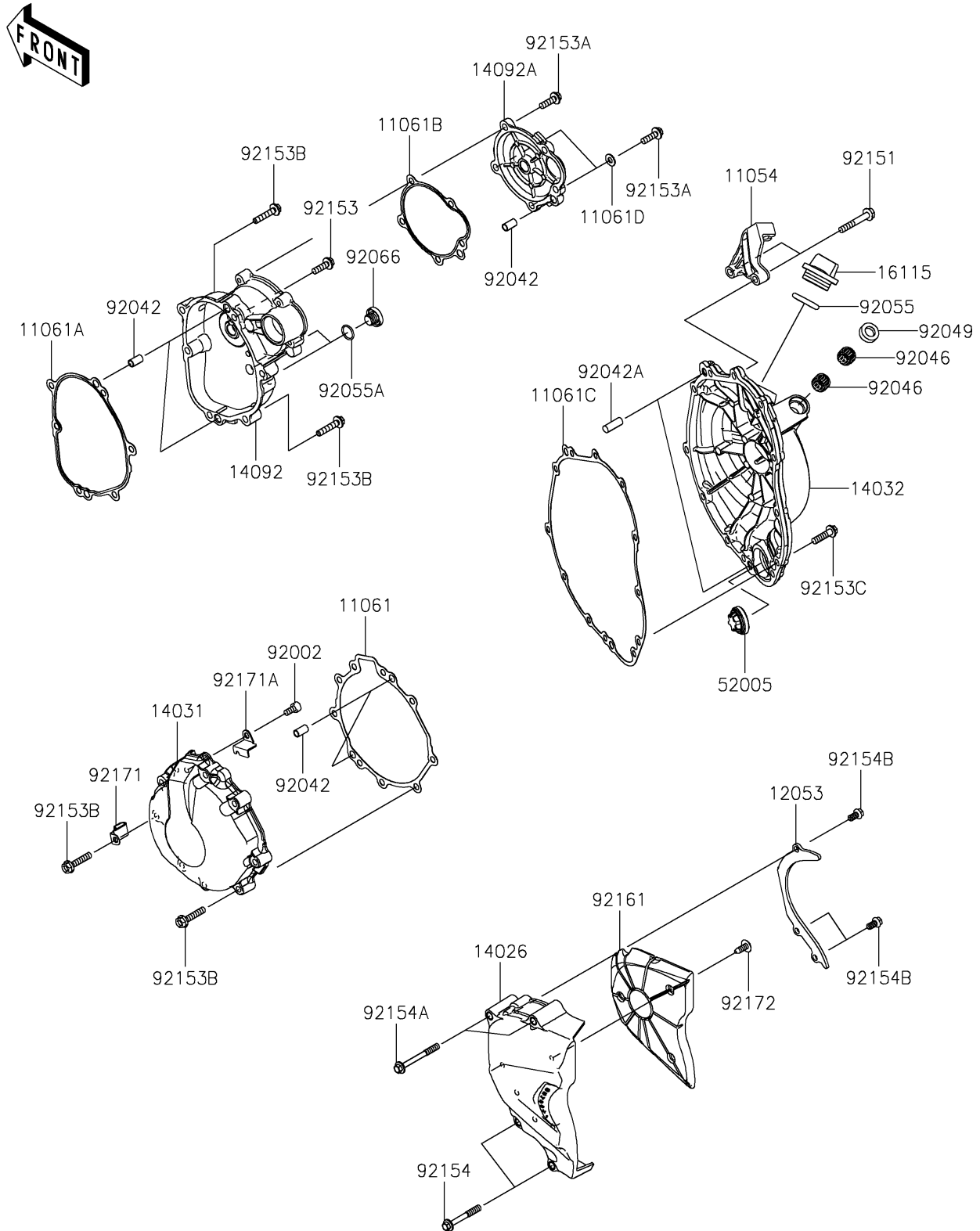


# 2022 Ninja ZX-6R ABS KRT Edition

## PARTS DIAGRAM

### Engine Cover(s)

E1431



# 2022 Ninja ZX-6R ABS KRT Edition



## PARTS LIST

Engine Cover(s)

ITEM NAME	PART NUMBER	QUANTITY
-----------	-------------	----------

---