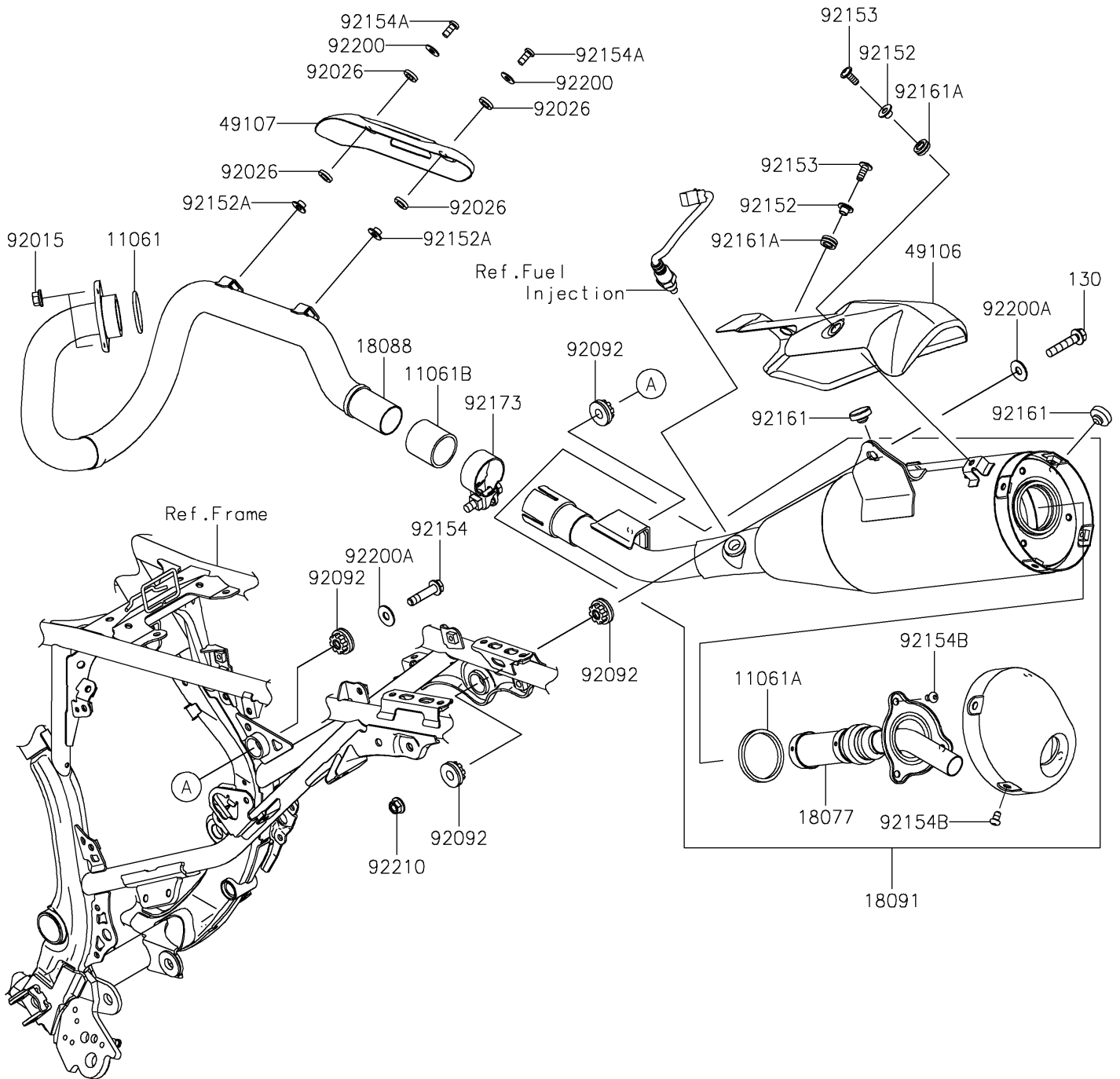


2023 KLX® 230 S

PARTS DIAGRAM

Muffler(s)

E1140



2023 KLX[®] 230 S

PARTS LIST

Muffler(s)

| ITEM NAME | PART NUMBER | QUANTITY |
|---|-------------|----------|
| GASKET,EX PIPE (Ref # 11061) | 11061-0027 | 1 |
| GASKET,J/P-SILENCER (Ref # 11061A) | 11061-0174 | 1 |
| GASKET,EXHAUST PIPE CONNECTING (Ref # 11061B) | 11061-1407 | 1 |
| ARRESTER-SPARK (Ref # 18077) | 18077-0046 | 1 |
| PIPE-EXHAUST (Ref # 18088) | 18088-1453 | 1 |
| BODY-COMP-MUFFLER (Ref # 18091) | 18091-1216 | 1 |
| COVER-MUFFLER (Ref # 49106) | 49106-0840 | 1 |
| COVER-EXHAUST PIPE (Ref # 49107) | 49107-0813 | 1 |
| NUT,8MM (Ref # 92015) | 92015-1143 | 2 |
| SPACER,8.7X15.2X3 (Ref # 92026) | 92026-0868 | 4 |
| BUSHING-RUBBER (Ref # 92092) | 92092-0018 | 4 |
| COLLAR,6.3X8.3X16 (Ref # 92152) | 92152-1602 | 2 |
| COLLAR,6.3X8.3X6.2 (Ref # 92152A) | 92152-2586 | 2 |
| BOLT,SOCKET,6X16 (Ref # 92153) | 92153-0817 | 2 |
| BOLT,FLANGED,8X36 (Ref # 92154) | 92154-1301 | 1 |
| BOLT,6X14 (Ref # 92154A) | 92154-3955 | 2 |
| BOLT,SOCKET,6X10 (Ref # 92154B) | 92154-4336 | 7 |
| DAMPER,MUFFLER (Ref # 92161) | 92161-1284 | 2 |
| DAMPER (Ref # 92161A) | 92161-1475 | 2 |
| CLAMP (Ref # 92173) | 92173-2189 | 1 |
| WASHER,6.5X16X1 (Ref # 92200) | 92200-1974 | 2 |
| WASHER,8.5X22X1.5 (Ref # 92200A) | 92200-1975 | 2 |
| NUT,LOCK,FLANGED,8MM (Ref # 92210) | 92210-0140 | 1 |
| BOLT-FLANGED,8X40 (Ref # 130) | 130CA0840 | 1 |