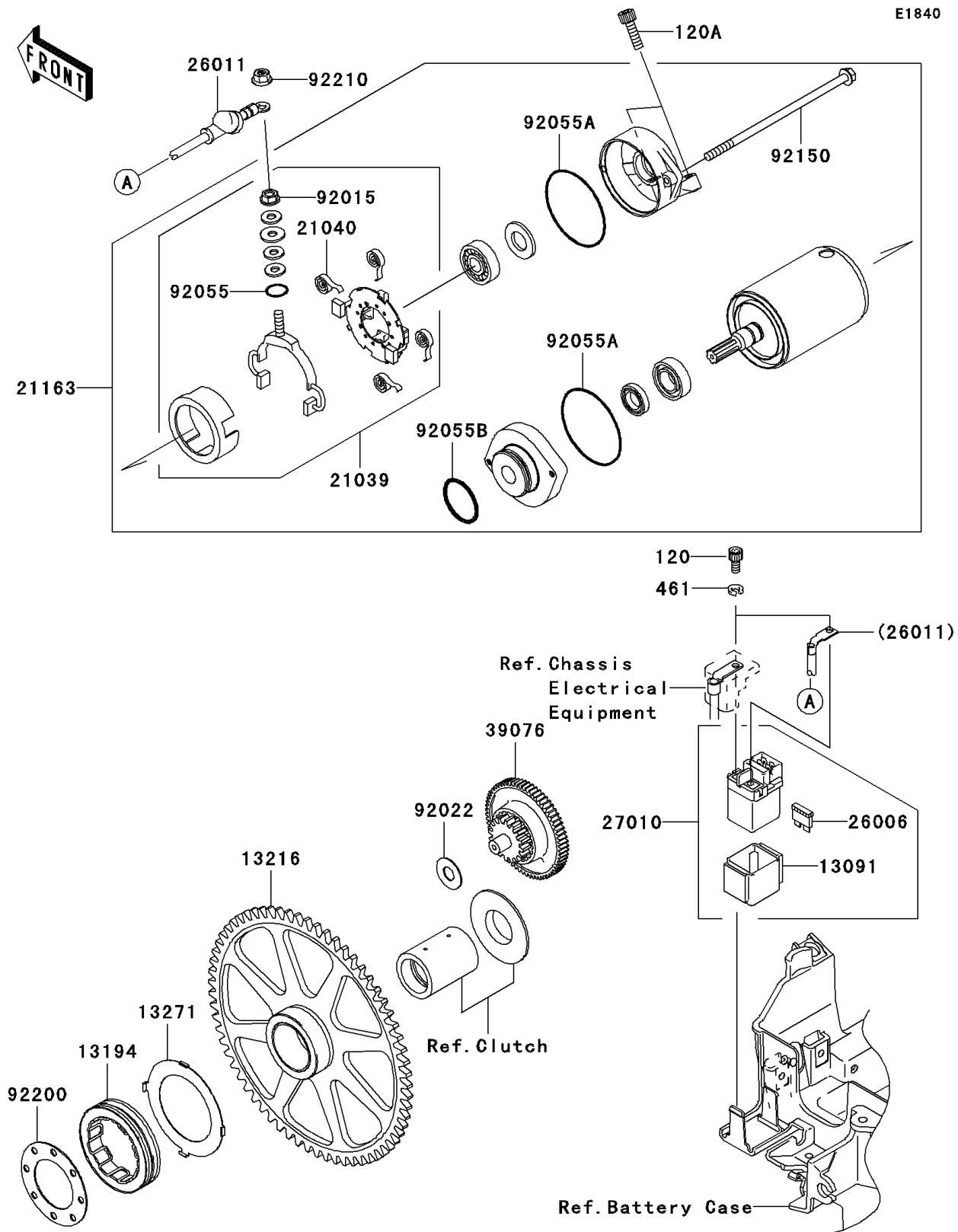


2009 Vulcan® 2000

PARTS DIAGRAM

Starter Motor



2009 Vulcan® 2000

PARTS LIST

Starter Motor

ITEM NAME

PART NUMBER

QUANTITY
