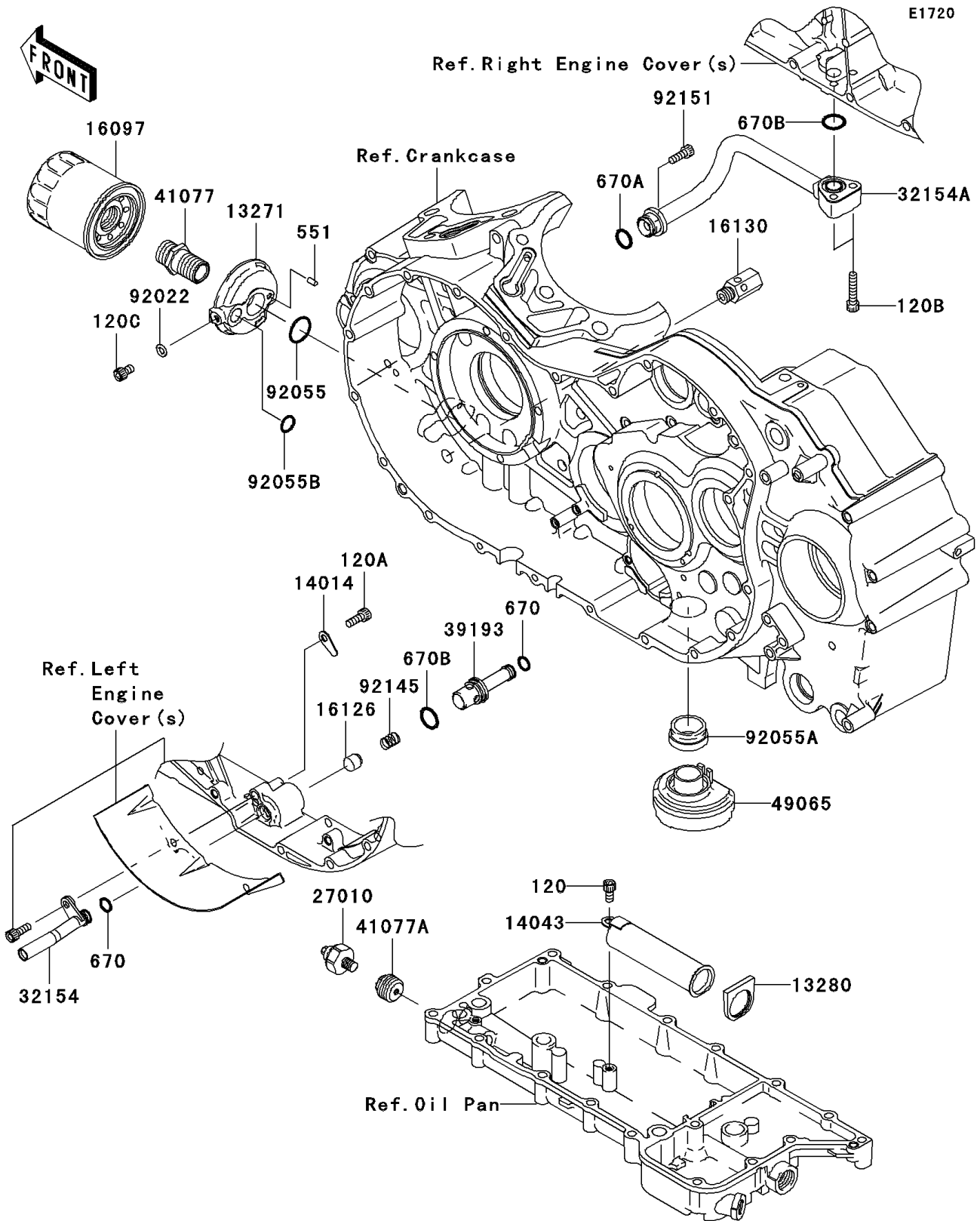


# 2009 Vulcan® 2000

## PARTS DIAGRAM

### Oil Filter



# 2009 Vulcan<sup>®</sup> 2000

## PARTS LIST

Oil Filter

**ITEM NAME**

**PART NUMBER**

**QUANTITY**

---