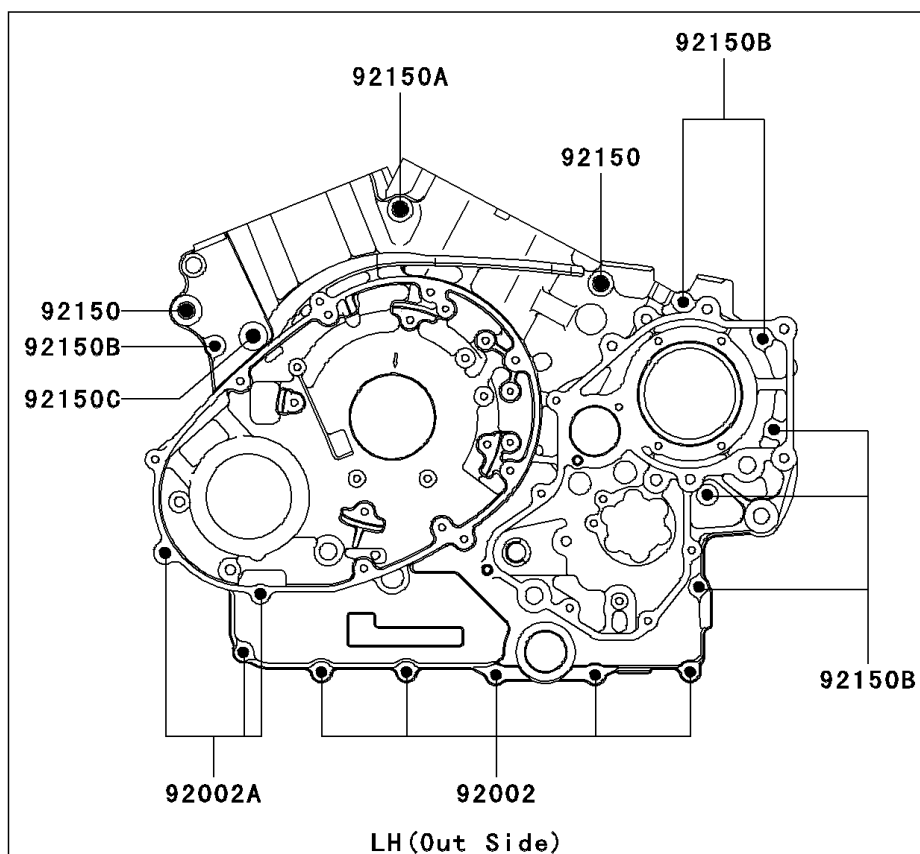
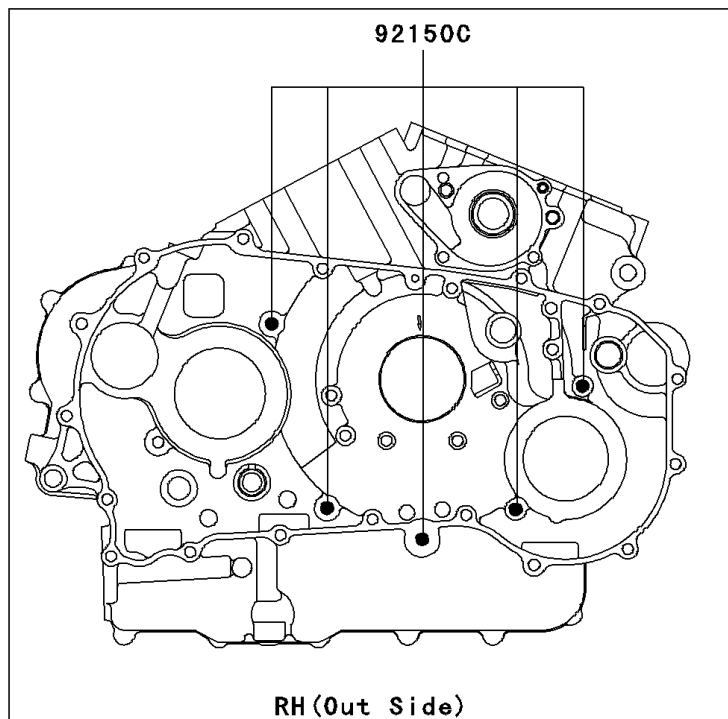


2005 Vulcan 1600 Mean Streak

PARTS DIAGRAM

Crankcase Bolt Pattern

E1412



2005 Vulcan 1600 Mean Streak

PARTS LIST

Crankcase Bolt Pattern

ITEM NAME	PART NUMBER	QUANTITY
-----------	-------------	----------
