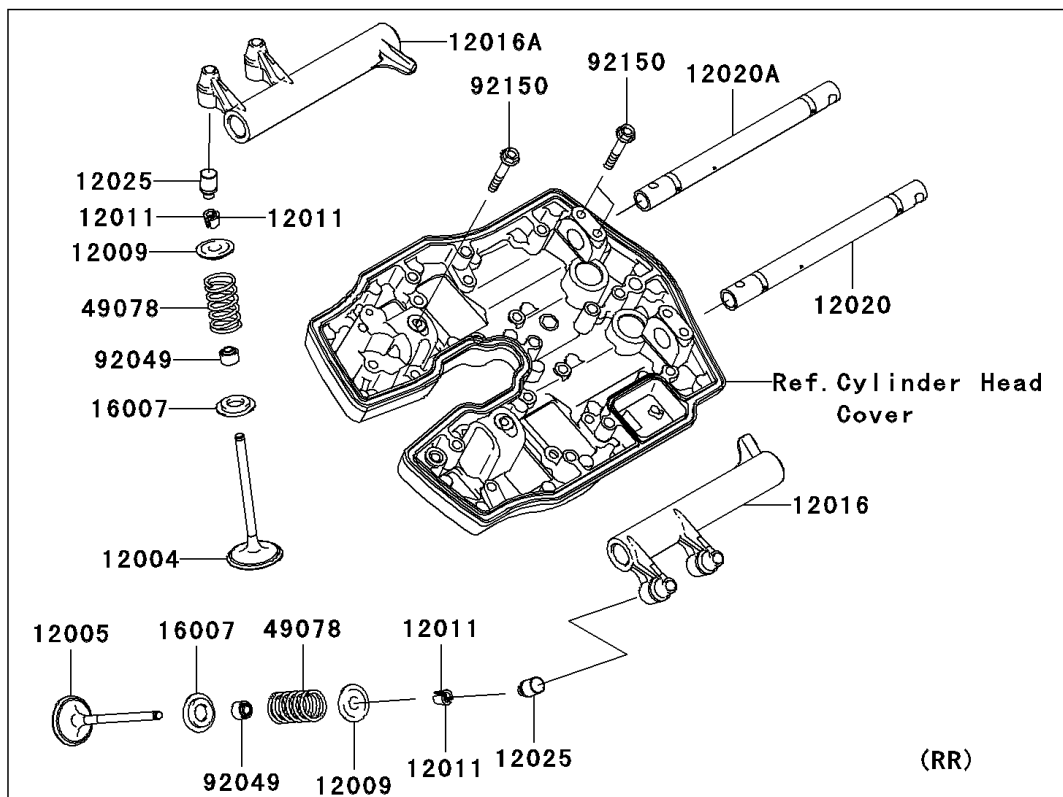
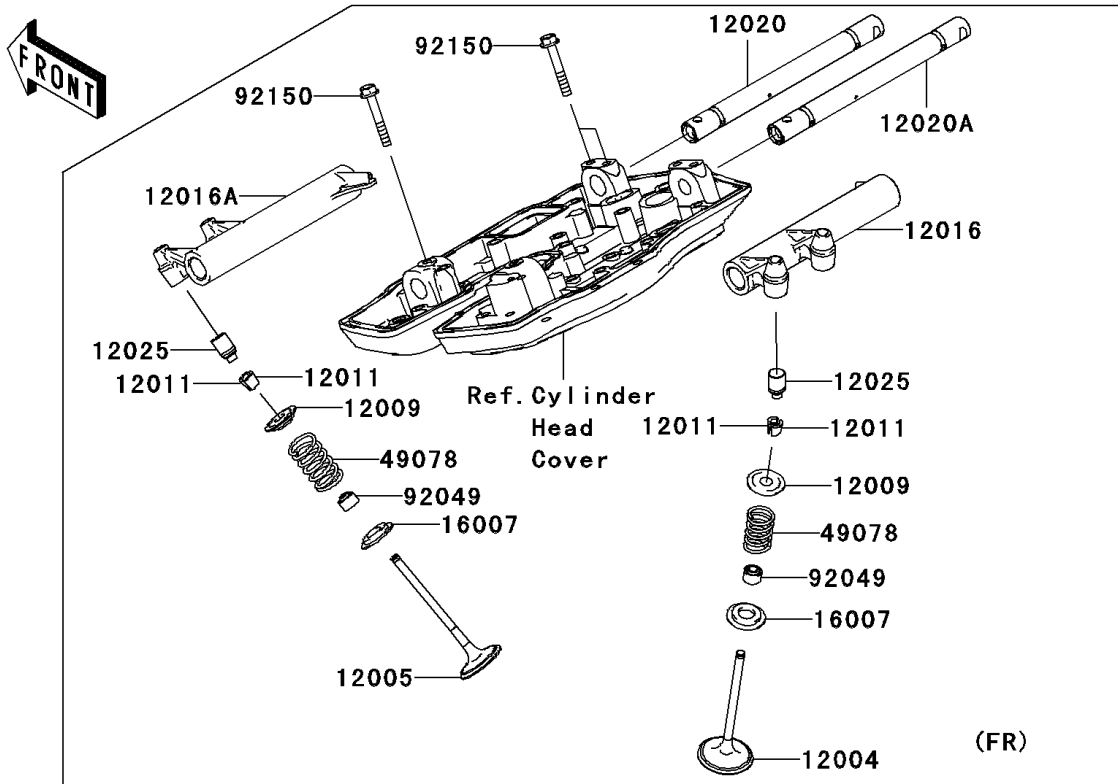


2009 Vulcan® 2000

PARTS DIAGRAM

Valve(s)

E1210



2009 Vulcan[®] 2000

PARTS LIST

Valve(s)

ITEM NAME

PART NUMBER

QUANTITY
