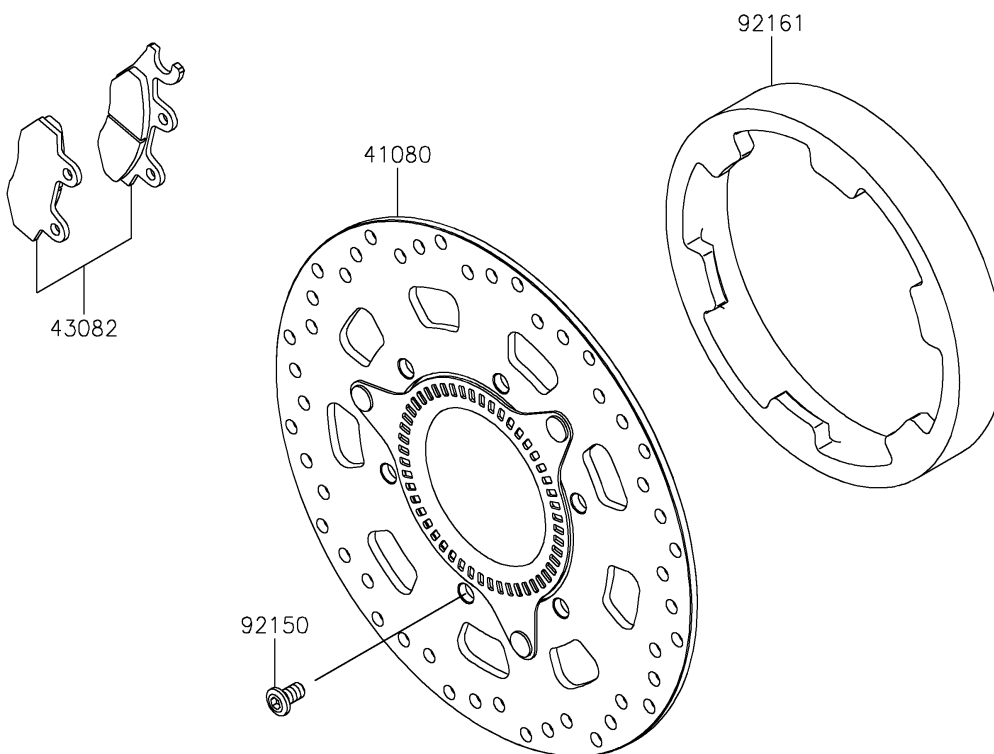
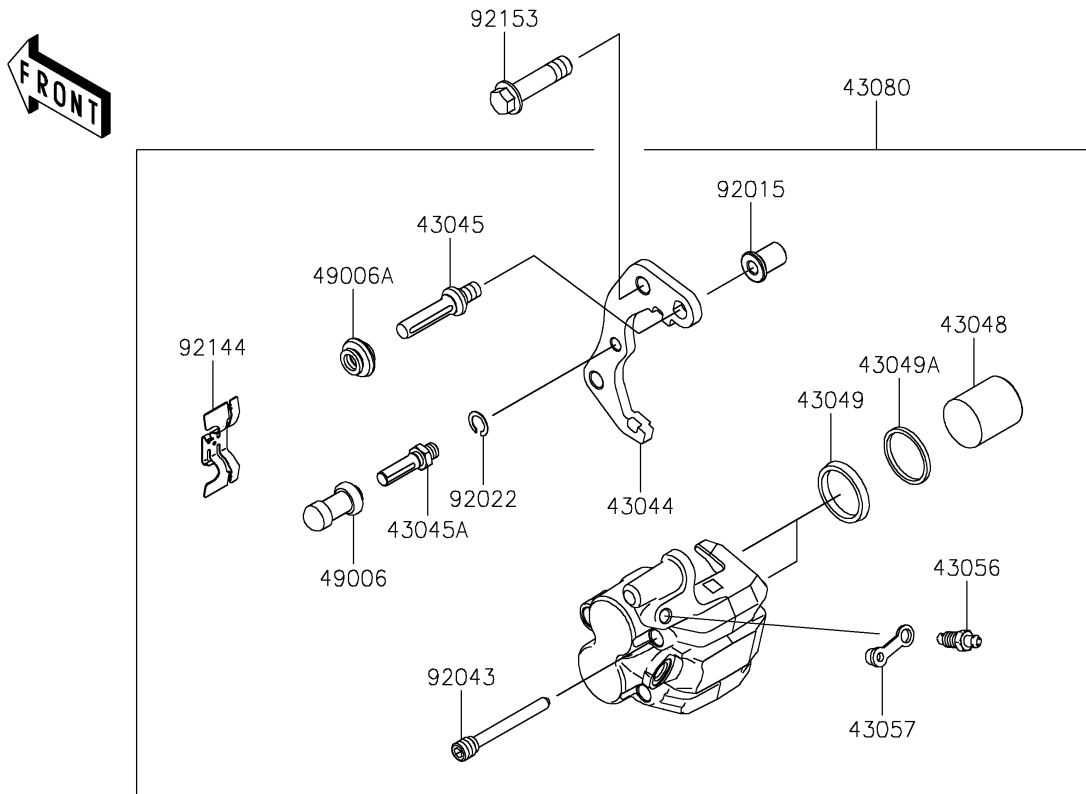


# 2023 KLR<sup>®</sup> 650 Traveler ABS

## PARTS DIAGRAM

### Front Brake

F2292



# 2023 KLR® 650 Traveler ABS

## PARTS LIST

### Front Brake

ITEM NAME	PART NUMBER	QUANTITY
DISC,FR,ABS,BLACK (Ref # 41080)	41080-0729-11H	1
HOLDER-COMP-CALIPER,FR,LH (Ref # 43044)	43044-0006	1
SHAFT-CALIPER (Ref # 43045)	43045-0013	1
SHAFT-CALIPER (Ref # 43045A)	43045-1010	1
PISTON-CALIPER (Ref # 43048)	43048-1068	2
PACKING,PISTON SEAL (Ref # 43049)	43049-1060	2
PACKING,PISTON SEAL (Ref # 43049A)	43049-1061	2
BREATHER-BRAKE (Ref # 43056)	43056-0004	1
CAP-BREATHER (Ref # 43057)	43057-1001	1
CALIPER-SUB-ASSY,FR,BLACK (Ref # 43080)	43080-0231-DJ	1
PAD-ASSY-BRAKE (Ref # 43082)	43082-0060	1
BOOT,CALIPER (Ref # 49006)	49006-1088	1
BOOT,CALIPER (Ref # 49006A)	49006-1242	1
NUT (Ref # 92015)	92015-1740	1
WASHER,WAVE (Ref # 92022)	92022-1373	1
PIN,HANGER (Ref # 92043)	92043-1416	2
SPRING,PAD (Ref # 92144)	92144-1847	1
BOLT,8X15 (Ref # 92150)	92150-1852	6
BOLT,FLANGED,10X41 (Ref # 92153)	92153-0587	2
DAMPER (Ref # 92161)	92161-2430	1