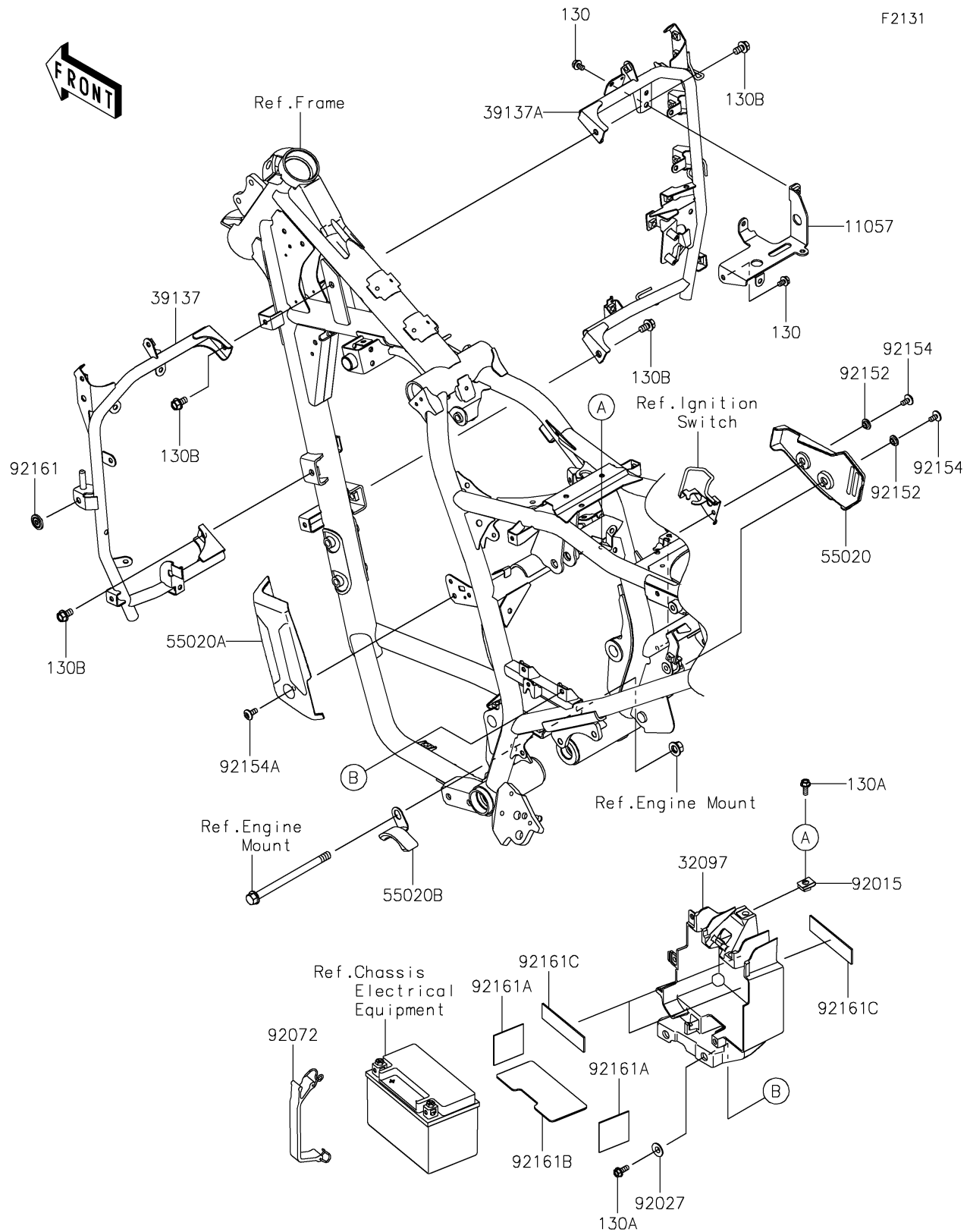


# 2023 KLR® 650 Traveler ABS

## PARTS DIAGRAM

### Frame Fittings



# 2023 KLR<sup>®</sup> 650 Traveler ABS

## PARTS LIST Frame Fittings



ITEM NAME	PART NUMBER	QUANTITY
-----------	-------------	----------

---