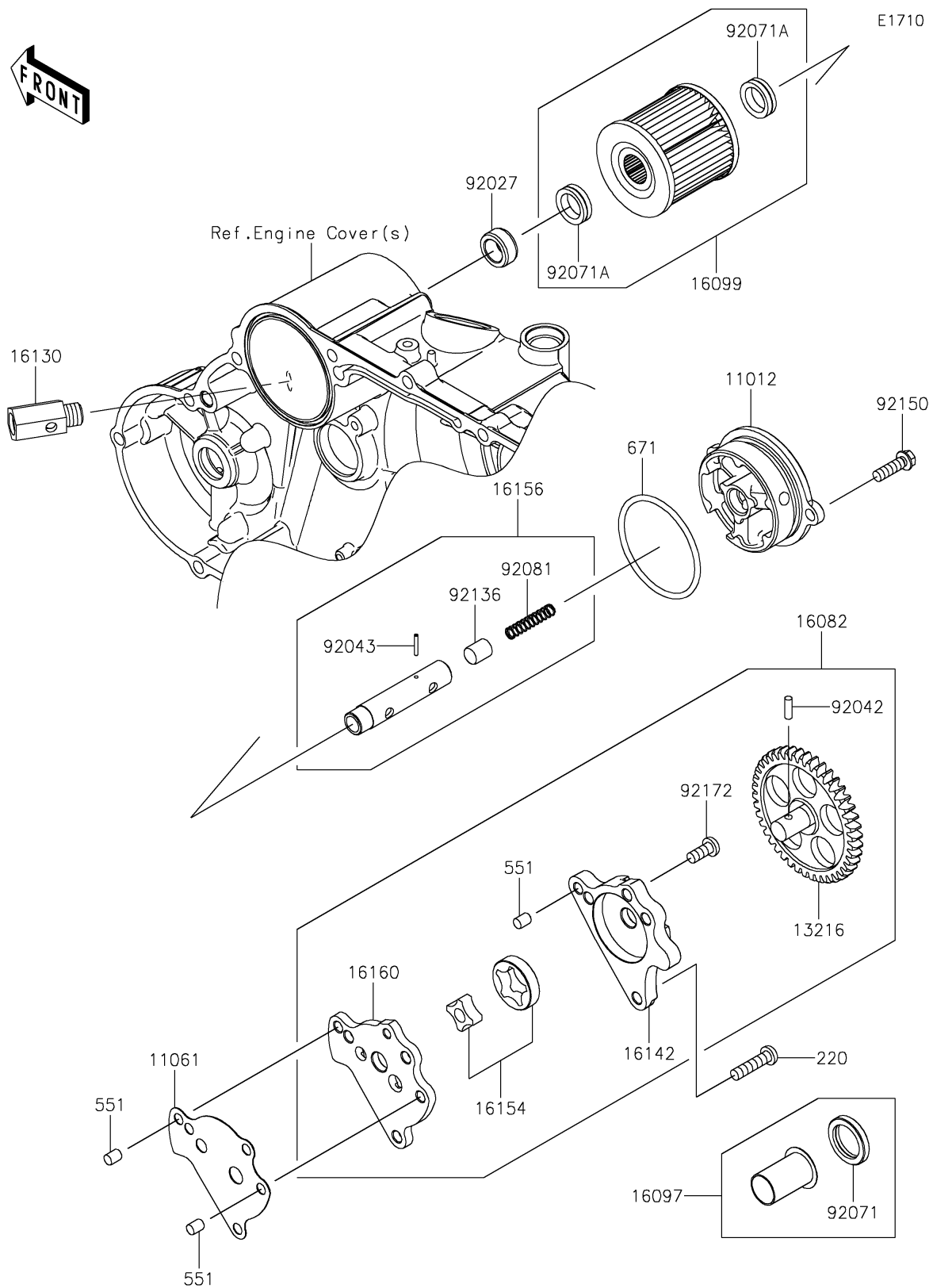


2023 KLR[®] 650 Traveler ABS

PARTS DIAGRAM

Oil Pump



2023 KLR[®] 650 Traveler ABS

PARTS LIST

Oil Pump

ITEM NAME	PART NUMBER	QUANTITY
-----------	-------------	----------
