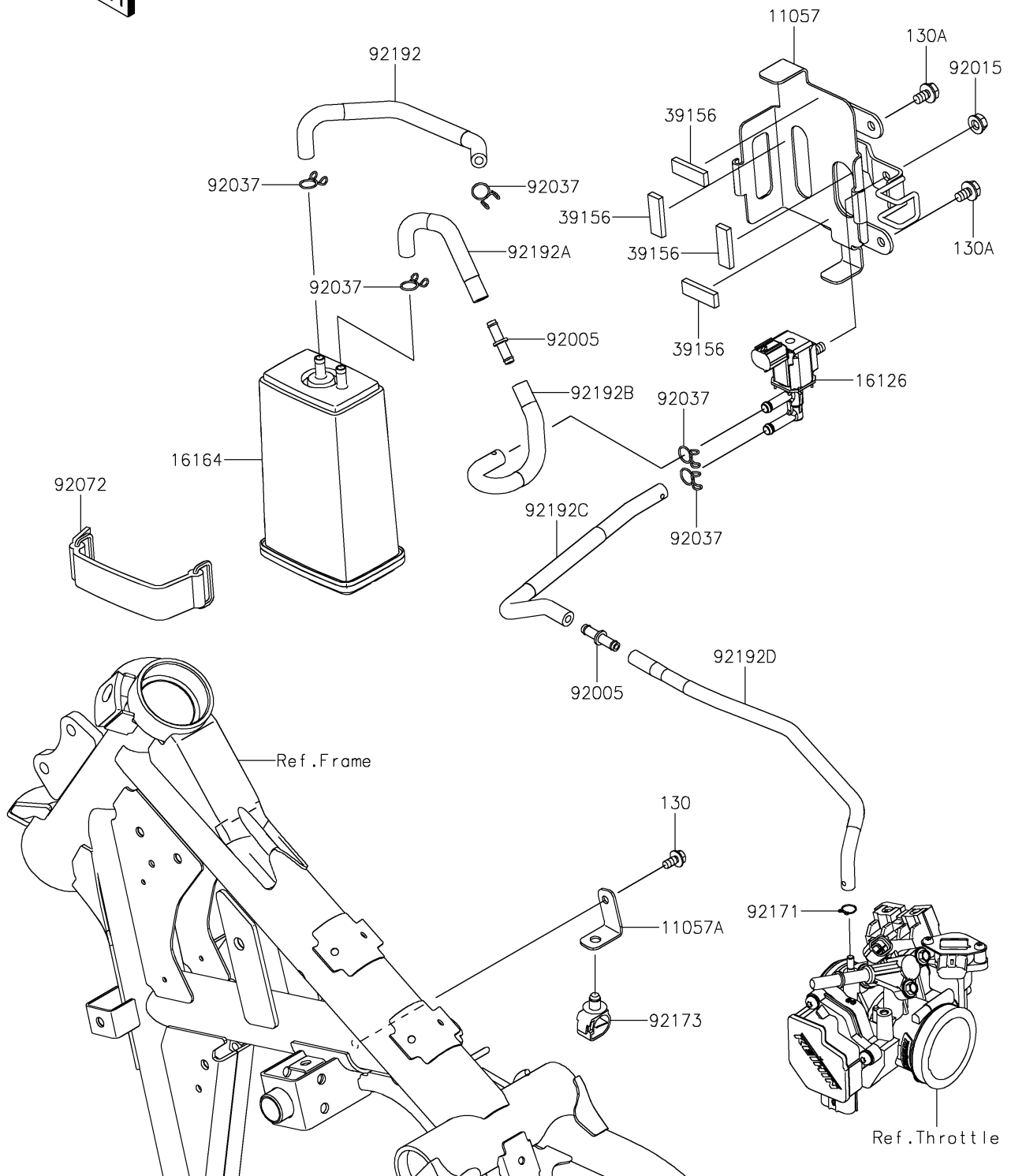


2023 KLR® 650 Traveler ABS

PARTS DIAGRAM

Fuel Evaporative System

E1650



2023 KLR[®] 650 Traveler ABS

PARTS LIST

Fuel Evaporative System

ITEM NAME	PART NUMBER	QUANTITY
-----------	-------------	----------
