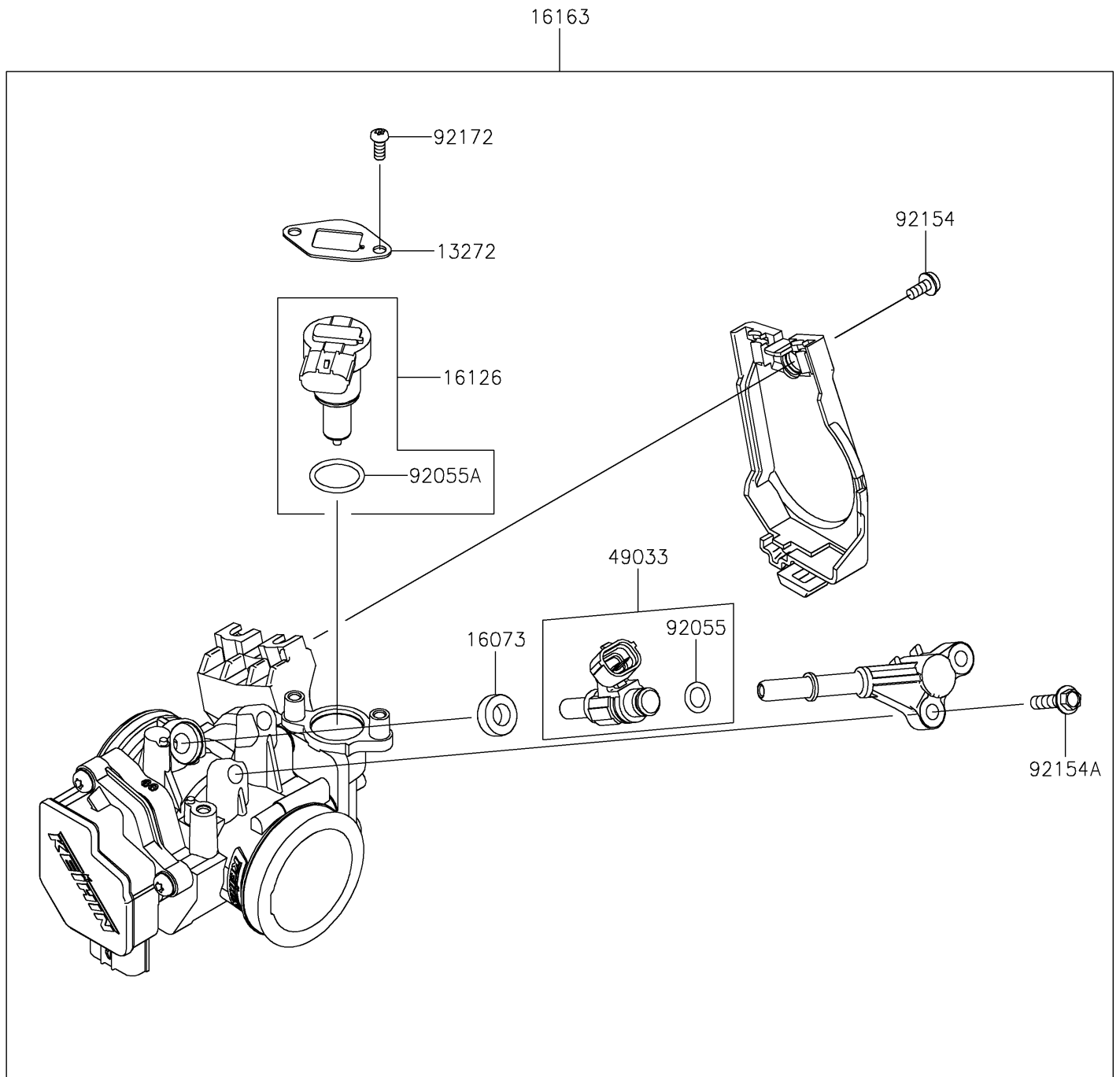


# 2023 KLR® 650 Traveler ABS

## PARTS DIAGRAM

### Throttle

E1510



# 2023 KLR<sup>®</sup> 650 Traveler ABS

## PARTS LIST

### Throttle

ITEM NAME	PART NUMBER	QUANTITY
-----------	-------------	----------

---