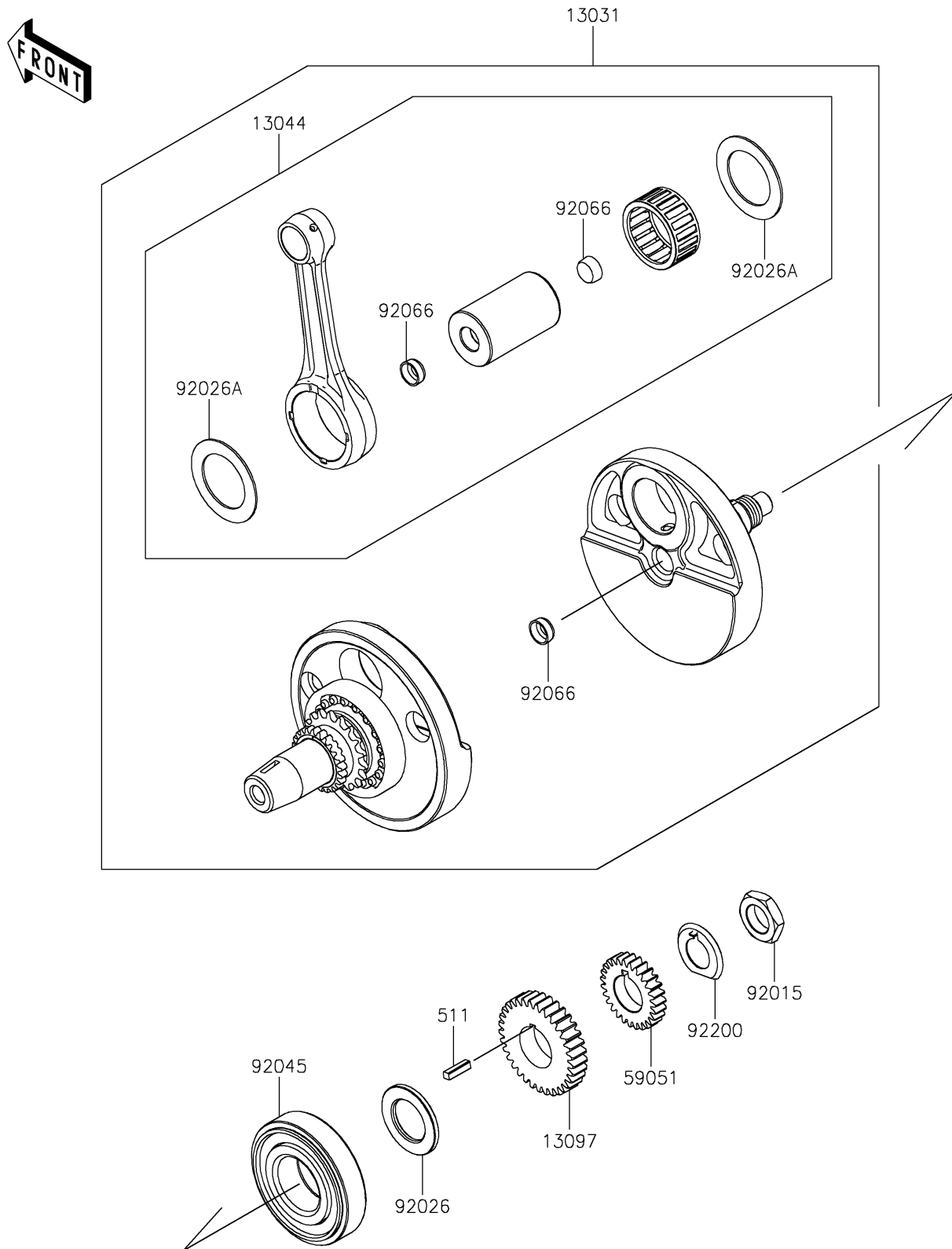


# 2023 KLR® 650 Traveler ABS

## PARTS DIAGRAM

### Crankshaft

E1321



# 2023 KLR<sup>®</sup> 650 Traveler ABS

## PARTS LIST

### Crankshaft

**ITEM NAME**

**PART NUMBER**

**QUANTITY**

---