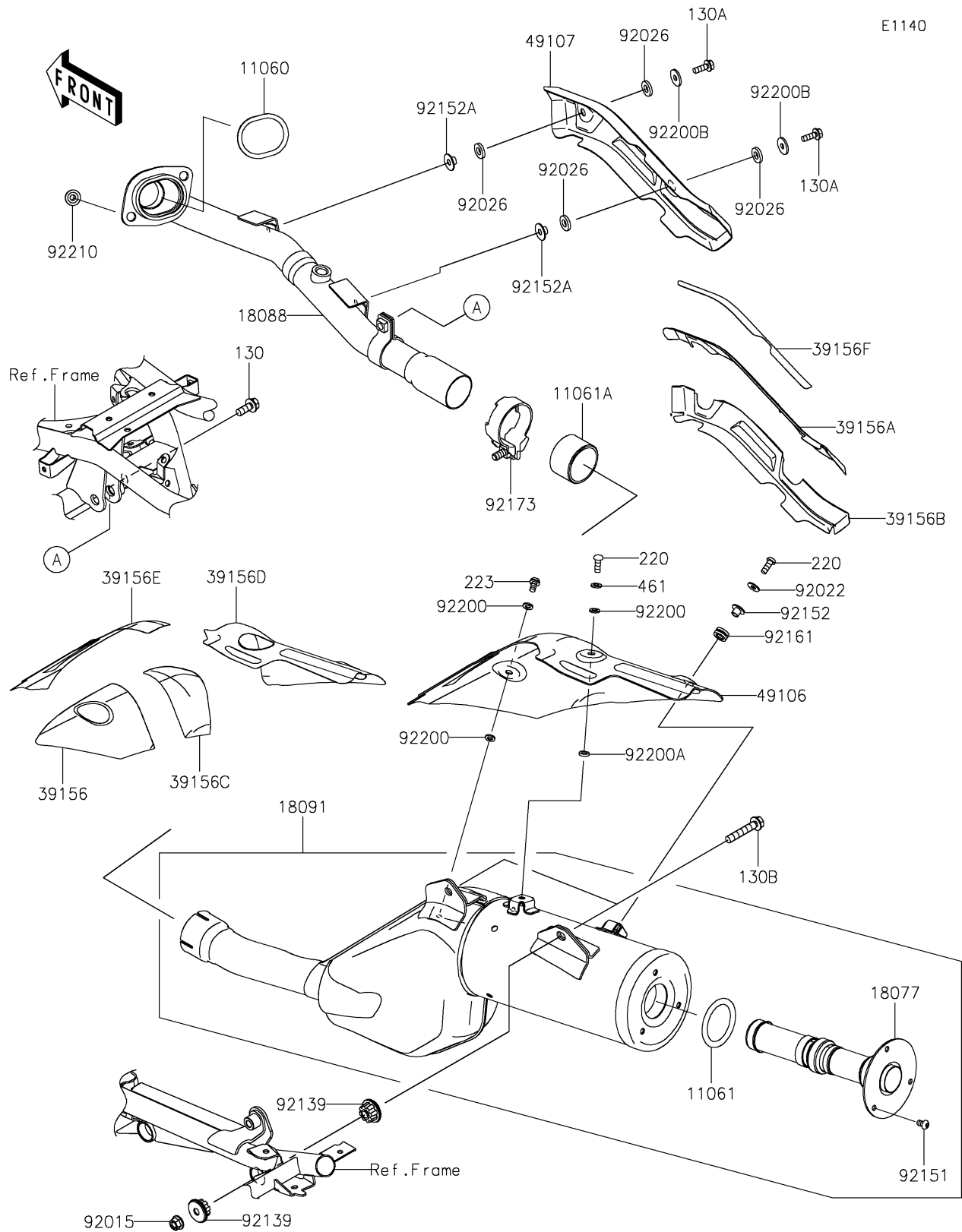


# 2023 KLR<sup>®</sup> 650 Traveler ABS

## PARTS DIAGRAM

### Muffler(s)



# 2023 KLR<sup>®</sup> 650 Traveler ABS

## PARTS LIST

Muffler(s)

ITEM NAME	PART NUMBER	QUANTITY
-----------	-------------	----------

---