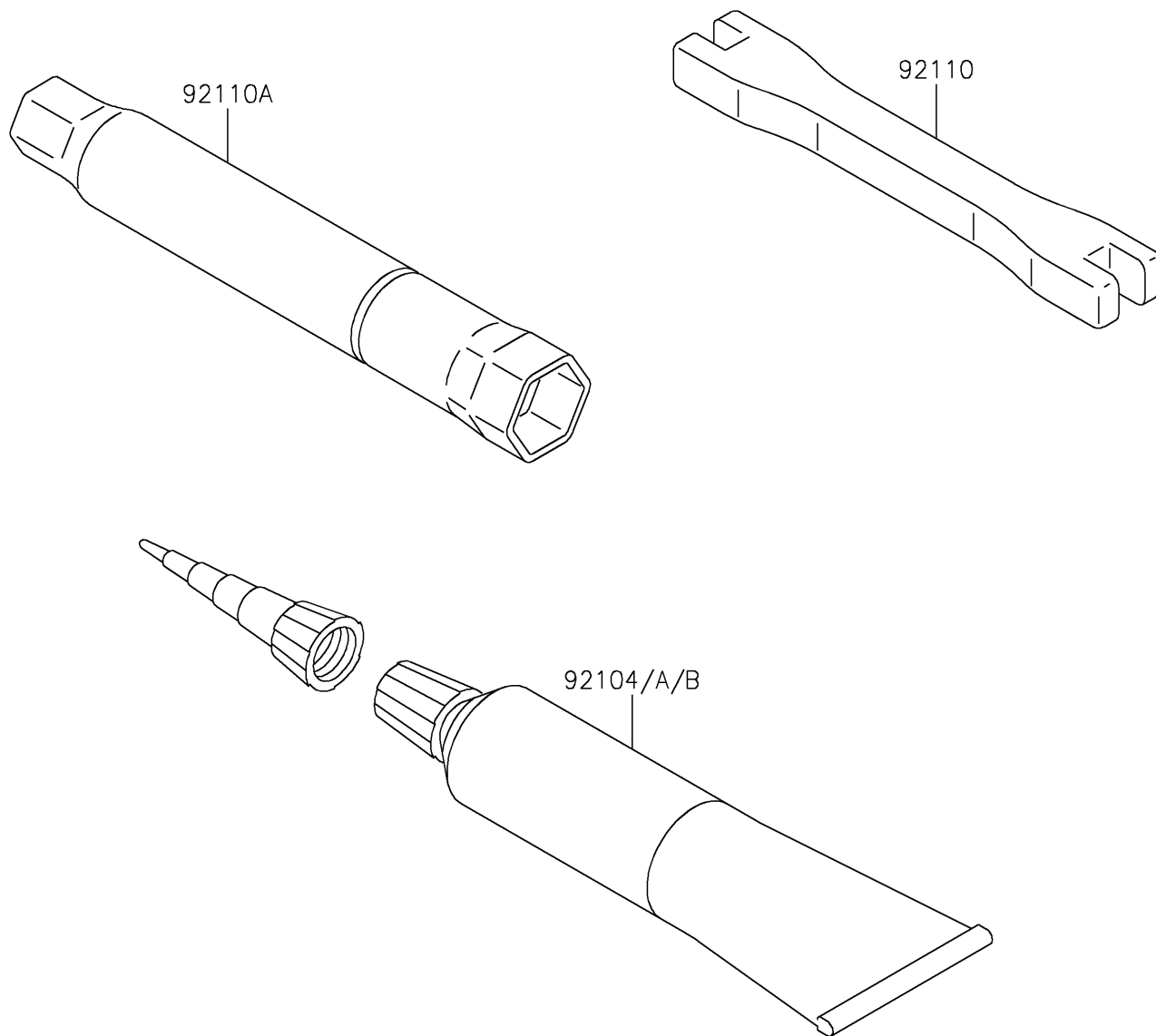


2020 KX™ 450

PARTS DIAGRAM

Owner's Tools

F2810



2020 KX™ 450

PARTS LIST

Owner's Tools

ITEM NAME

PART NUMBER

QUANTITY
