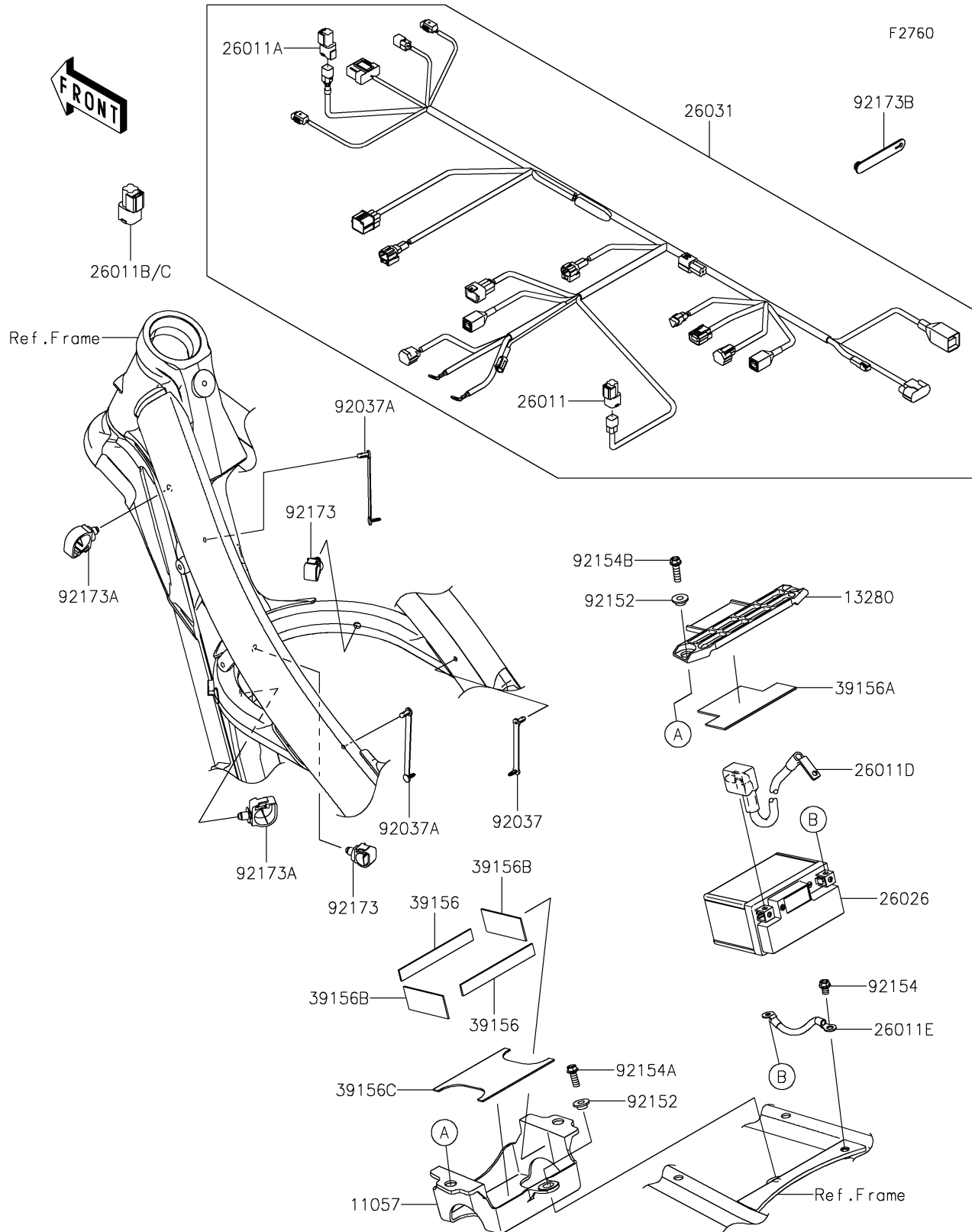


2019 KX™ 450

PARTS DIAGRAM

Chassis Electrical Equipment



2019 KX™ 450

PARTS LIST

Chassis Electrical Equipment

| ITEM NAME | PART NUMBER | QUANTITY |
|--|-------------|----------|
| BRACKET,BATTERY CASE (Ref # 11057) | 11057-1550 | 1 |
| HOLDER,BATTERY COVER (Ref # 13280) | 13280-0912 | 1 |
| WIRE-LEAD,NATURAL (Ref # 26011) | 26011-0273 | 1 |
| WIRE-LEAD,GREEN (Ref # 26011A) | 26011-0727 | 1 |
| WIRE-LEAD,MODE SELECT,BLACK (Ref # 26011B) | 26011-0728 | 1 |
| WIRE-LEAD,MODE SELECT,WHITE (Ref # 26011C) | 26011-0748 | 1 |
| WIRE-LEAD,BATTERY(+) (Ref # 26011D) | 26011-0996 | 1 |
| WIRE-LEAD,BATTERY(-) (Ref # 26011E) | 26011-0997 | 1 |
| BATTERY-LI-ION-STARTER,HJ01 (Ref # 26026) | 26026-0001 | 1 |
| HARNESS,MAIN (Ref # 26031) | 26031-2590 | 1 |
| PAD,12X100X1 (Ref # 39156) | 39156-2266 | 2 |
| PAD,60X100X1.5 (Ref # 39156A) | 39156-2418 | 1 |
| PAD,25X58X1.5 (Ref # 39156B) | 39156-2419 | 2 |
| PAD,100X72X1.5 (Ref # 39156C) | 39156-2420 | 1 |
| CLAMP,SPEED,L=58 (Ref # 92037) | 92037-1163 | 1 |
| CLAMP,SPEED,L=80.5 (Ref # 92037A) | 92037-1903 | 2 |
| COLLAR,6.5X10X5.6 (Ref # 92152) | 92152-0445 | 3 |
| BOLT,FLANGED,6X8 (Ref # 92154) | 92154-2962 | 1 |
| BOLT,FLANGED,6X16 (Ref # 92154A) | 92154-2965 | 1 |
| BOLT,FLANGED,6X20 (Ref # 92154B) | 92154-2966 | 2 |
| CLAMP,12MM DIA. (Ref # 92173) | 92173-0736 | 2 |
| CLAMP (Ref # 92173A) | 92173-0861 | 2 |
| CLAMP (Ref # 92173B) | 92173-1526 | 1 |