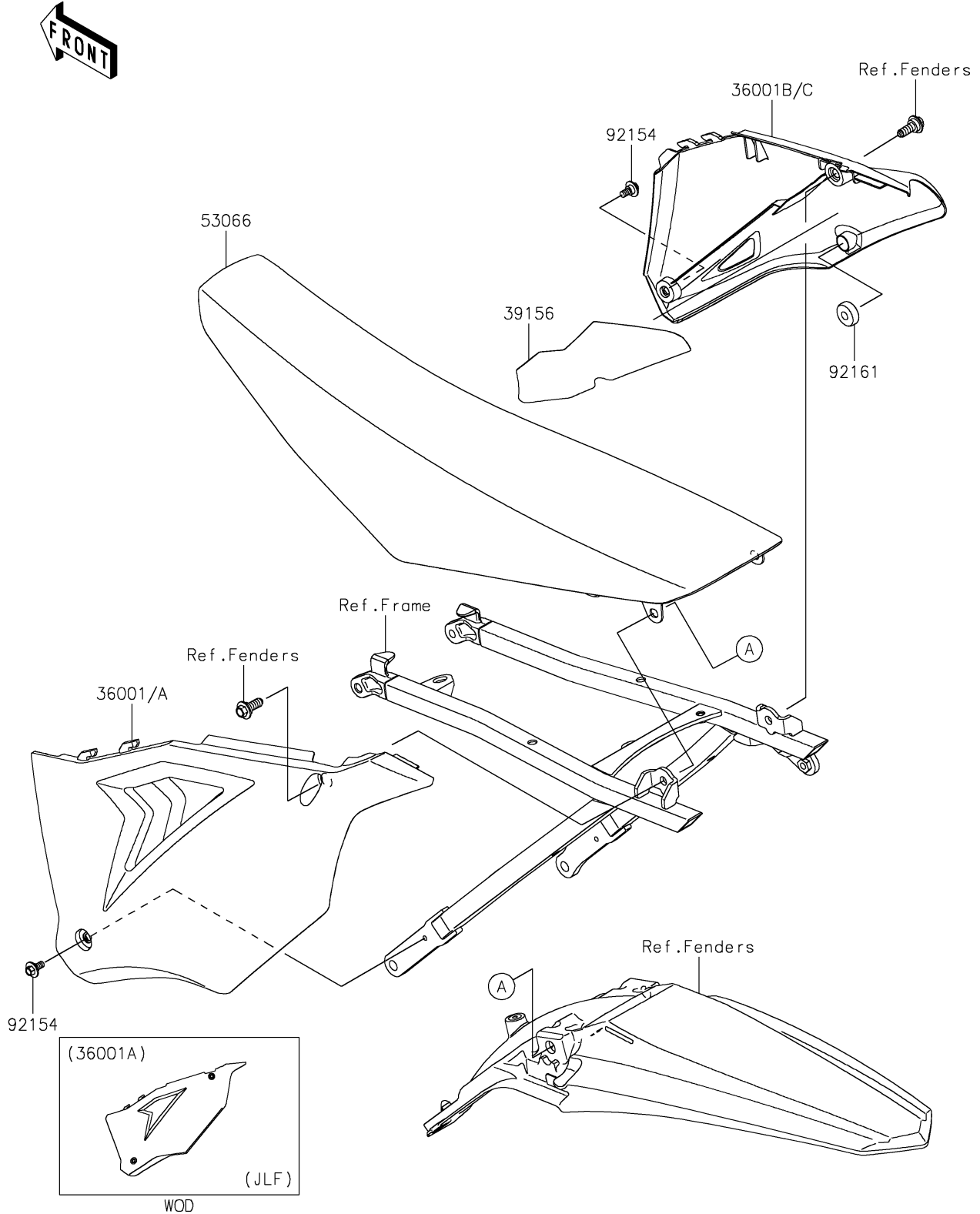


2020 KX™ 450

PARTS DIAGRAM

Side Covers

F2611



2020 KX™ 450

PARTS LIST

Side Covers

ITEM NAME

PART NUMBER

QUANTITY
