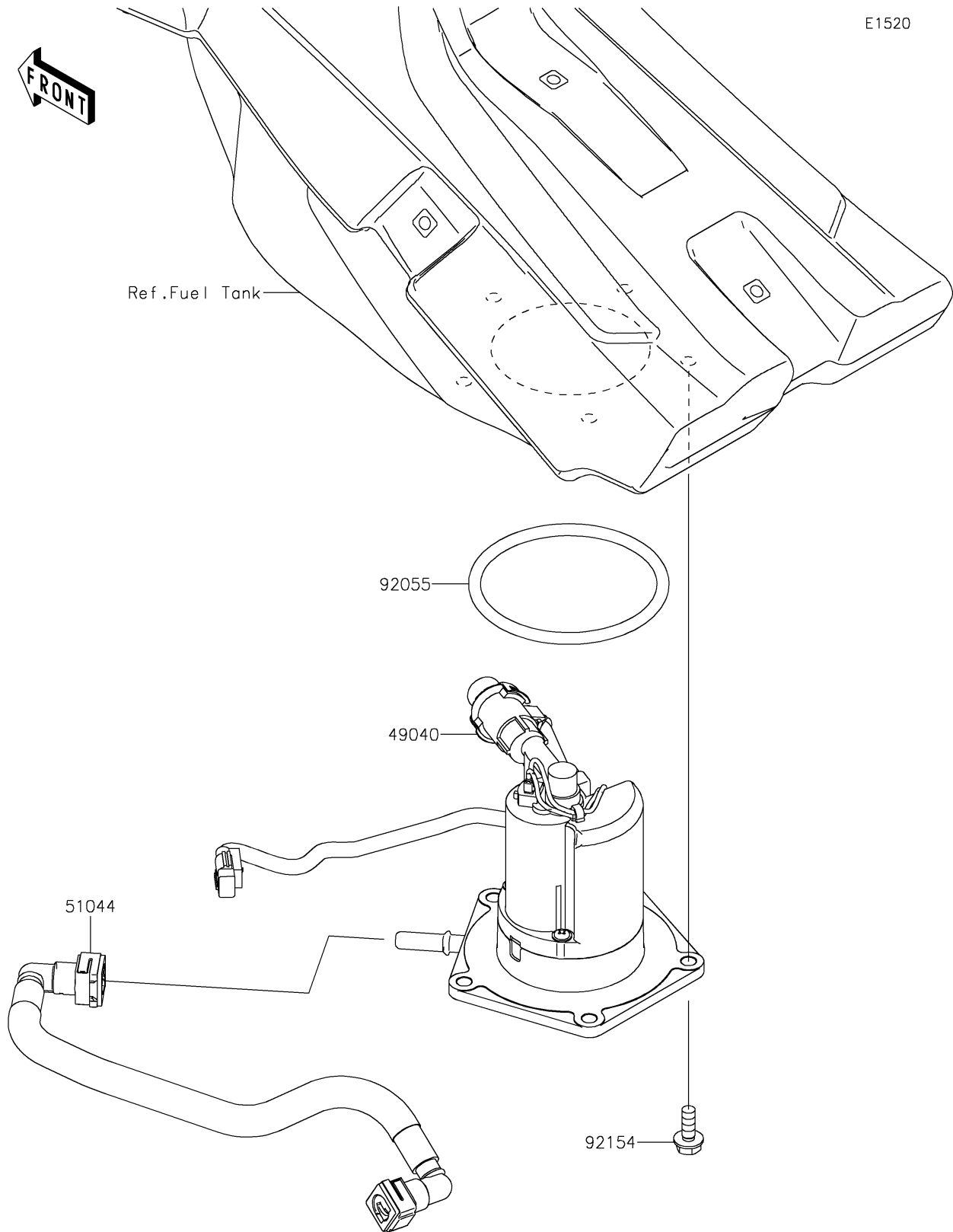


# 2020 KX™ 450

## PARTS DIAGRAM

### Fuel Pump



# 2020 KX™ 450

## PARTS LIST

### Fuel Pump

**ITEM NAME**

**PART NUMBER**

**QUANTITY**

---