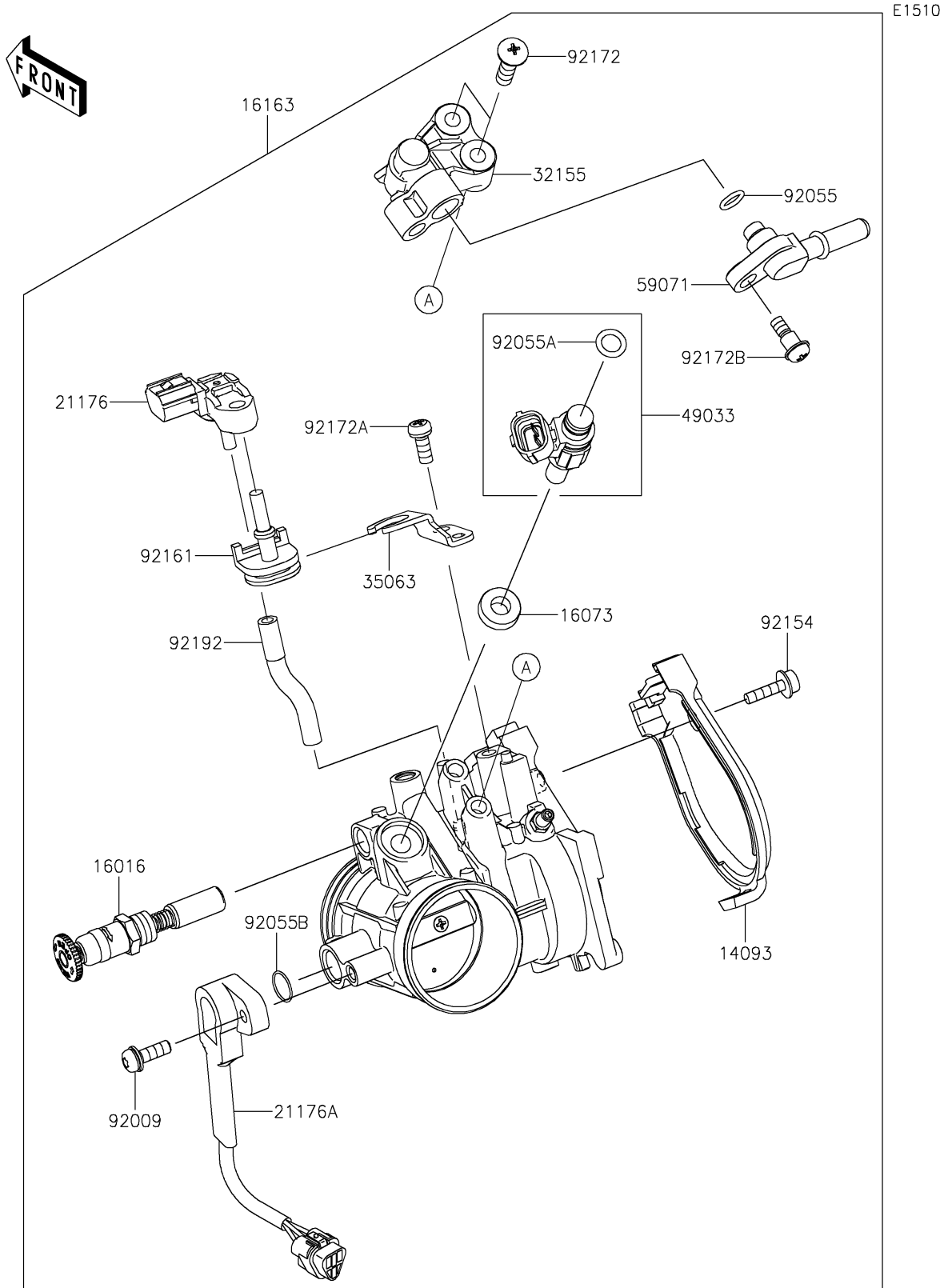


2020 KX™ 450

PARTS DIAGRAM

Throttle



2020 KX™ 450

PARTS LIST

Throttle

ITEM NAME

PART NUMBER

QUANTITY
