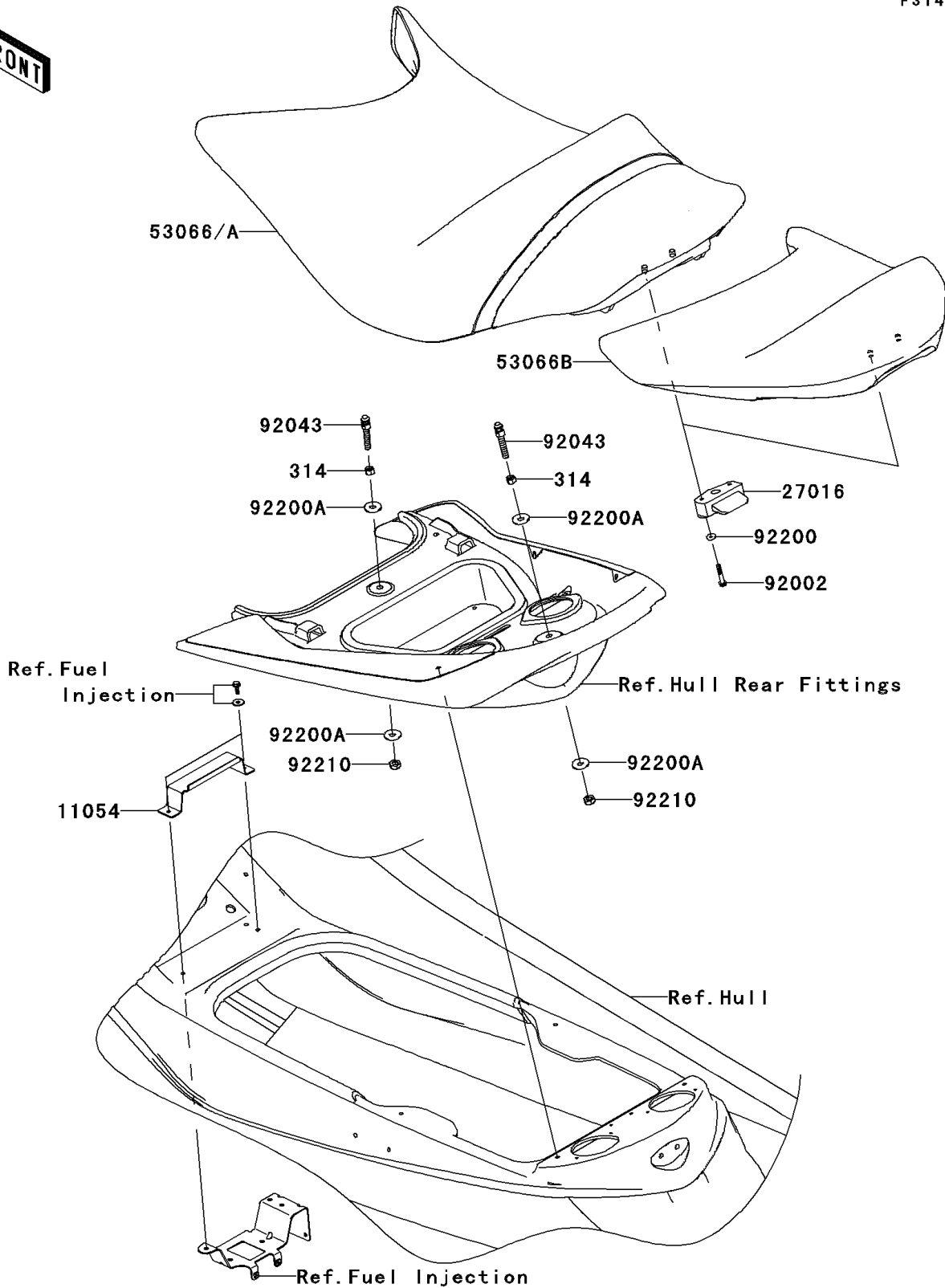


# 2009 Jet Ski® Ultra® 260LX

## PARTS DIAGRAM

### Seat

F3146



# 2009 Jet Ski® Ultra® 260LX

## PARTS LIST

Seat

**ITEM NAME**

**PART NUMBER**

**QUANTITY**

---