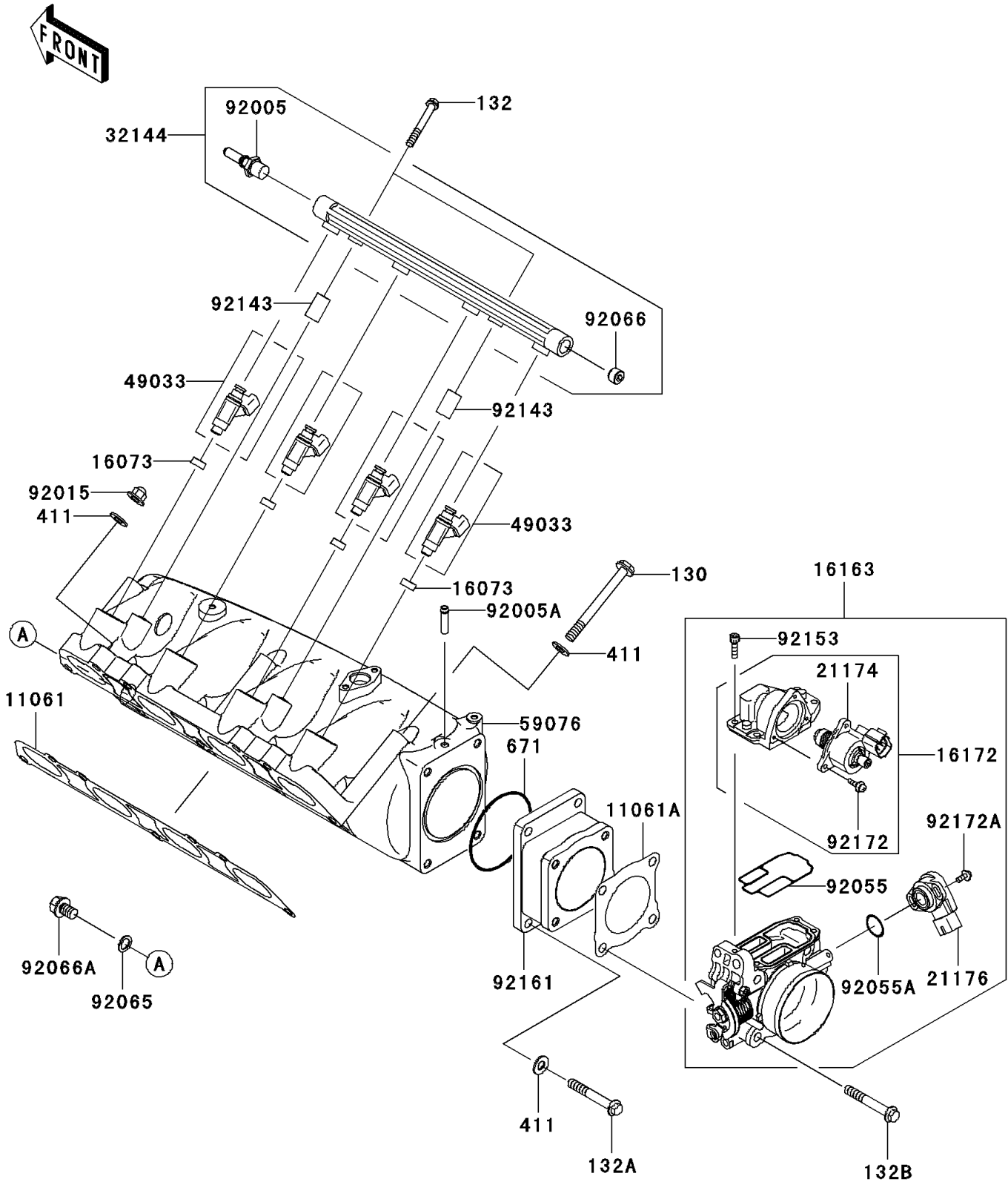


2010 Jet Ski® Ultra® 260LX

PARTS DIAGRAM

Throttle

E1510



2010 Jet Ski® Ultra® 260LX

PARTS LIST

Throttle

| ITEM NAME | PART NUMBER | QUANTITY |
|--------------------------------------|-------------|----------|
| GASKET,MANIFOLD (Ref # 11061) | 11061-3716 | 1 |
| GASKET,THROTTLE (Ref # 11061A) | 11061-3738 | 1 |
| INSULATOR (Ref # 16073) | 16073-3707 | 4 |
| THROTTLE-ASSY,AC60 (Ref # 16163) | 16163-3712 | 1 |
| ACTUATOR (Ref # 16172) | 16172-3705 | 1 |
| MOTOR-ELECTRIC,STM (Ref # 21174) | 21174-3706 | 1 |
| SENSOR,TPS (Ref # 21176) | 21176-3762 | 1 |
| PIPE-ASSY (Ref # 32144) | 32144-3706 | 1 |
| NOZZLE-INJECTION (Ref # 49033) | 49033-3708 | 4 |
| MANIFOLD-INTAKE (Ref # 59076) | 59076-3735 | 1 |
| FITTING (Ref # 92005) | 92005-3754 | 1 |
| FITTING (Ref # 92005A) | 92005-3761 | 1 |
| NUT,CAP,8MM (Ref # 92015) | 92015-1371 | 4 |
| RING-O (Ref # 92055) | 92055-3773 | 1 |
| RING-O (Ref # 92055A) | 92055-3774 | 1 |
| GASKET,10.5X16X1 (Ref # 92065) | 92065-058 | 1 |
| PLUG (Ref # 92066) | 92066-3778 | 1 |
| PLUG (Ref # 92066A) | 92066-3781 | 1 |
| COLLAR (Ref # 92143) | 92143-3731 | 2 |
| BOLT (Ref # 92153) | 92153-3723 | 4 |
| DAMPER (Ref # 92161) | 92161-3771 | 1 |
| SCREW (Ref # 92172) | 92172-3710 | 3 |
| SCREW (Ref # 92172A) | 92172-3711 | 2 |
| BOLT-FLANGED,8X120 (Ref # 130) | 130CD08120 | 3 |
| BOLT-FLANGED-SMALL,6X50 (Ref # 132) | 132BD0650 | 2 |
| BOLT-FLANGED-SMALL,8X30 (Ref # 132A) | 132BD0830 | 4 |
| BOLT-FLANGED-SMALL,8X55 (Ref # 132B) | 132BD0855 | 4 |
| WASHER-PLAIN,8MM (Ref # 411) | 411S0800 | 11 |
| O RING,70MM (Ref # 671) | 671B2570 | 1 |