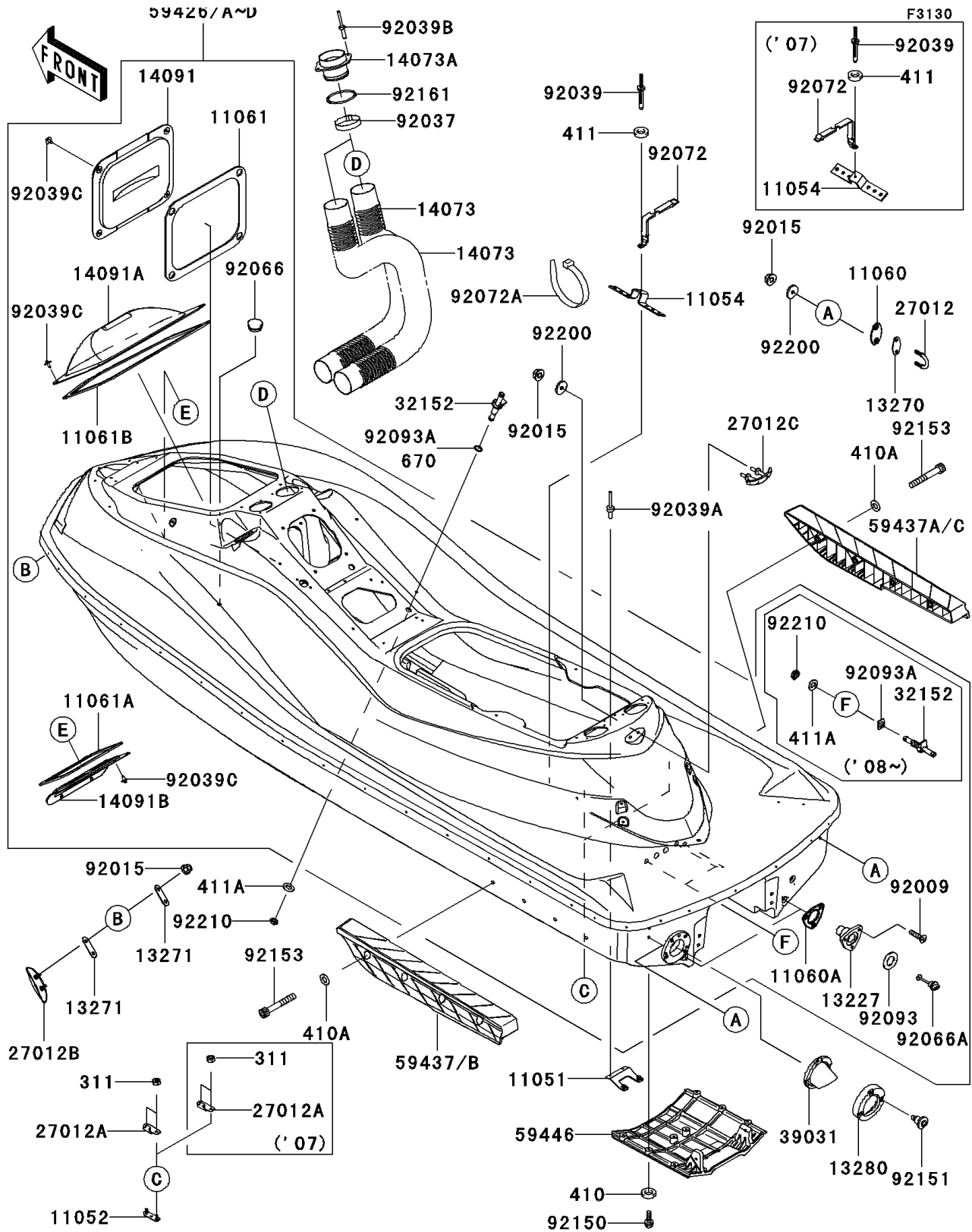


# 2007 Ultra 250X

## PARTS DIAGRAM

### Hull



# 2007 Ultra 250X

## PARTS LIST

### Hull

**ITEM NAME**

**PART NUMBER**

**QUANTITY**

---