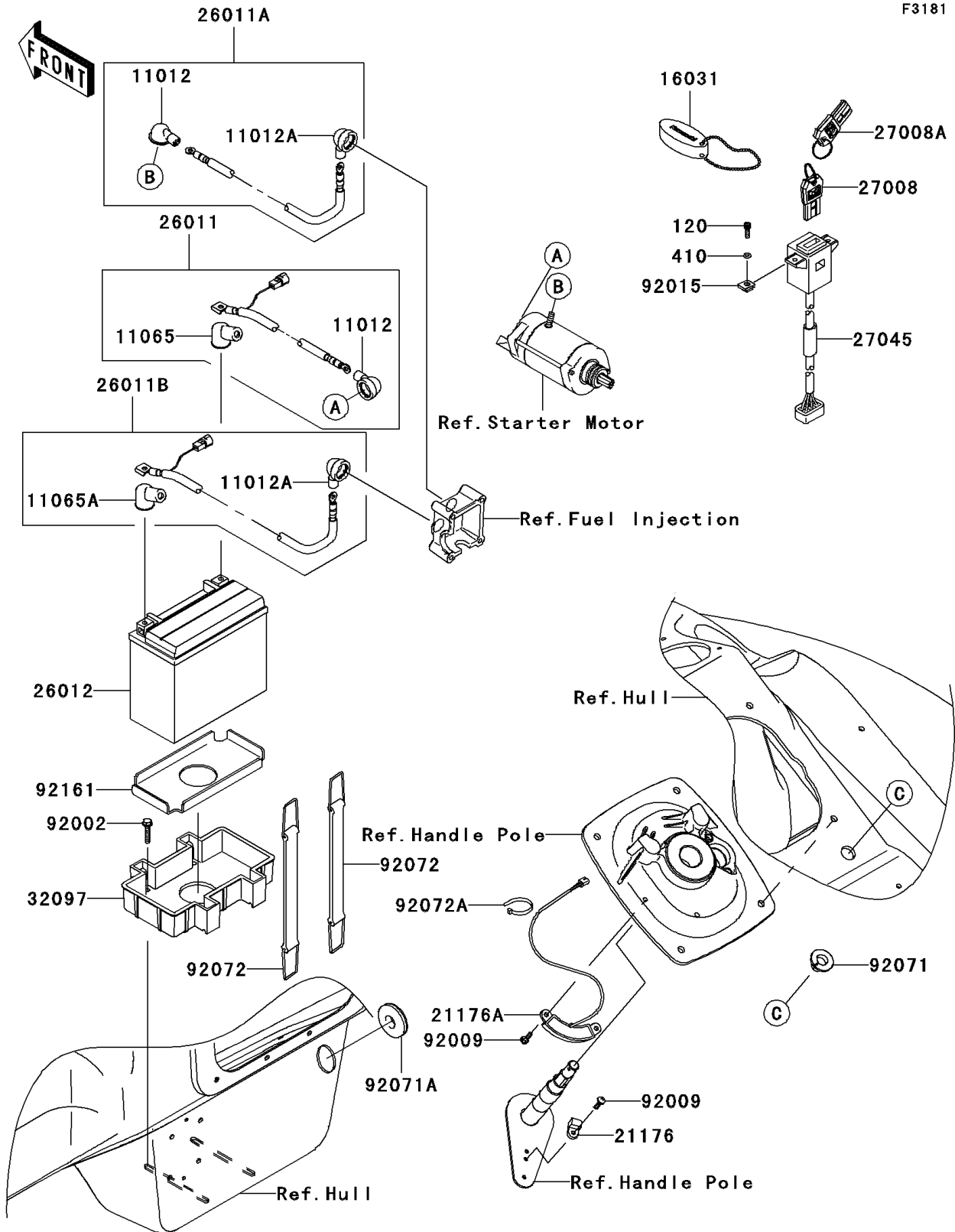


2007 Ultra LX

PARTS DIAGRAM

Electrical Equipment



2007 Ultra LX

PARTS LIST

Electrical Equipment

ITEM NAME

PART NUMBER

QUANTITY
