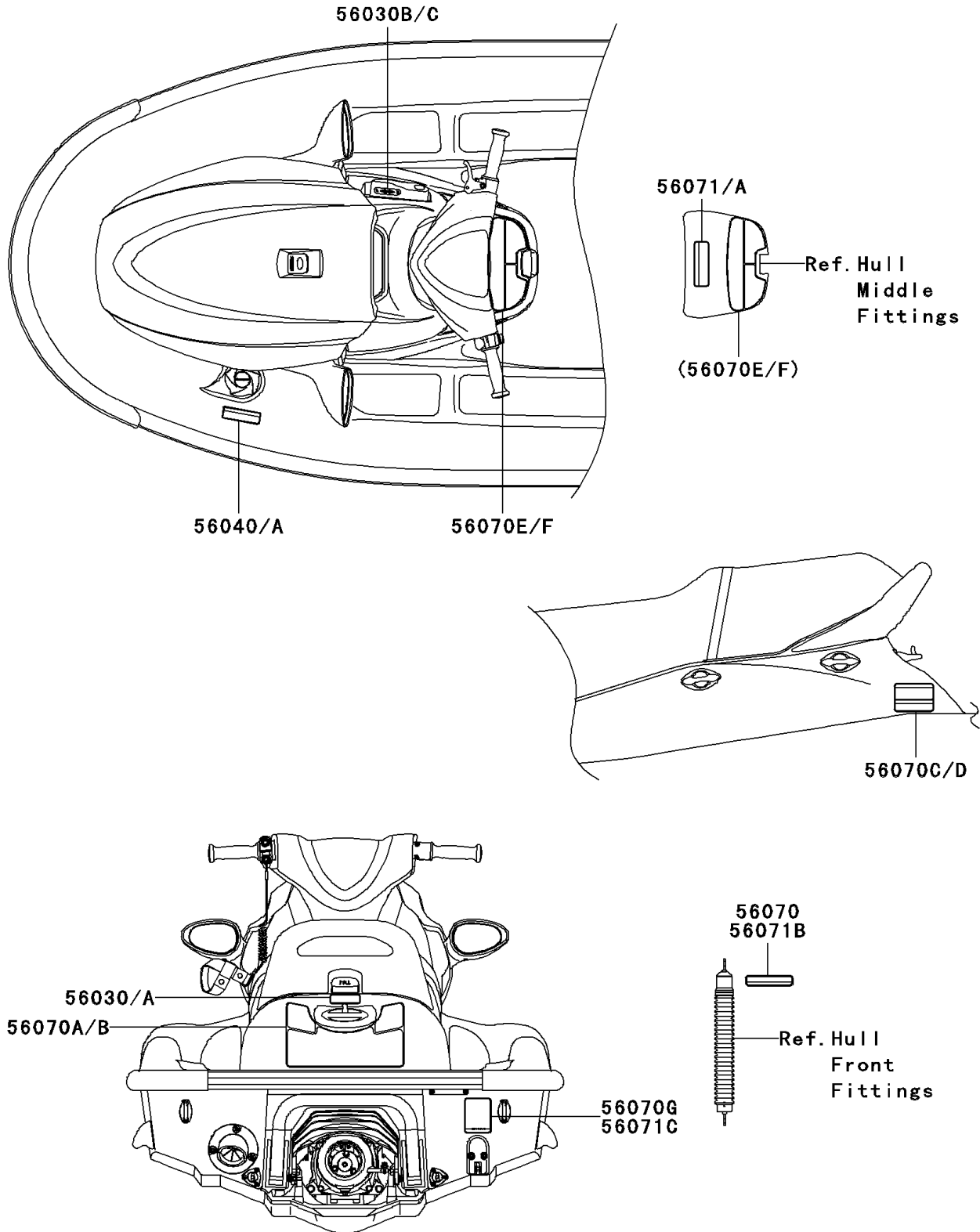


# 2008 STX-15F

## PARTS DIAGRAM

### Labels

F3183



# 2008 STX-15F

## PARTS LIST

### Labels

**ITEM NAME**

**PART NUMBER**

**QUANTITY**

---