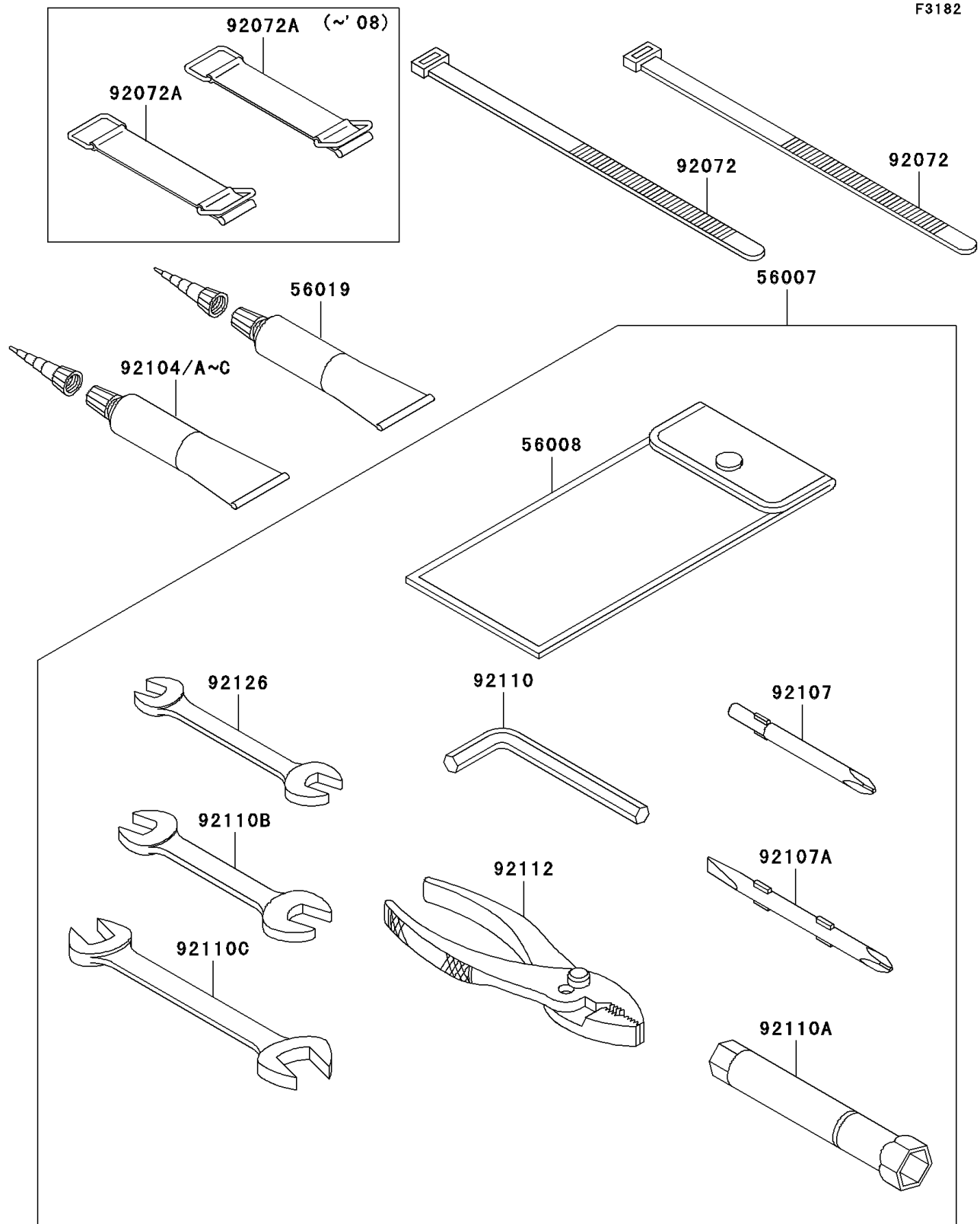


2009 Jet Ski® STX-15F

PARTS DIAGRAM

Owner's Tools



2009 Jet Ski® STX-15F

PARTS LIST

Owner's Tools

ITEM NAME

PART NUMBER

QUANTITY
