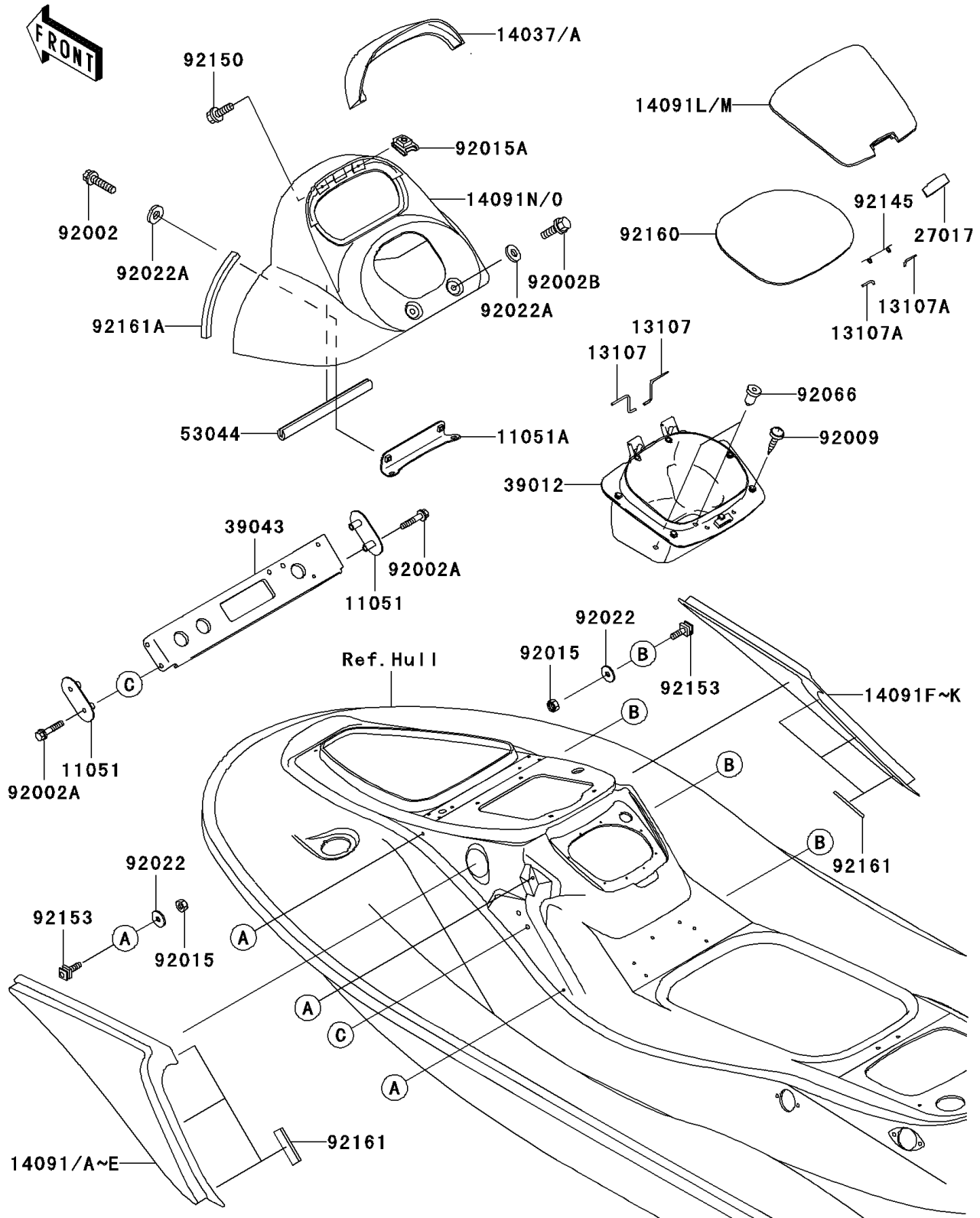


# 2007 STX-15F

## PARTS DIAGRAM

### Hull Middle Fittings

F3136



# 2007 STX-15F

## PARTS LIST

### Hull Middle Fittings

ITEM NAME	PART NUMBER	QUANTITY
BRACKET,CROSSMEMBER (Ref # 11051)	11051-3782	2
BRACKET (Ref # 11051A)	11051-3811	1
SHAFT (Ref # 13107)	13107-3761	2
SHAFT (Ref # 13107A)	13107-3769	2
SCREEN,METER,F.S.BLACK (Ref # 14037A)	14037-3709-378	1
COVER,SIDE,LH,M.N.BLUE (Ref # 14091B)	14091-3708-TK	1
COVER,SIDE,RH,M.N.BLUE (Ref # 14091H)	14091-3709-TK	1
COVER,CENTER STORAGE,J.WHITE (Ref # 14091M)	14091-3710-8C	1
COVER,HANDLE,F.S.BLACK (Ref # 14091O)	14091-3770-378	1
LOCK,CENTER STORAGE (Ref # 27017)	27017-3725	1
CASE-STORAGE (Ref # 39012)	39012-3735	1
CROSSMEMBER-COMP (Ref # 39043)	39043-3703	1
TRIM,L=180 (Ref # 53044)	53044-3755	1
BOLT,6X25 (Ref # 92002)	92002-3714	2
BOLT,6X30 (Ref # 92002A)	92002-3726	4
BOLT,6X12 (Ref # 92002B)	92002-3763	2
SCREW,TAPPING,5X20 (Ref # 92009)	92009-3716	8
NUT,LOCK,5MM (Ref # 92015)	92015-3798	6
NUT,CLIP,5MM (Ref # 92015A)	92015-3830	2
WASHER,5X16X1.5 (Ref # 92022)	92022-3041	6
WASHER,6.5X20X1.5 (Ref # 92022A)	92022-3710	4
PLUG (Ref # 92066)	92066-3773	2
SPRING (Ref # 92145)	92145-3711	1
BOLT,5X16 (Ref # 92150)	92150-3778	2
BOLT,5MM (Ref # 92153)	92153-3703	6
DAMPER (Ref # 92160)	92160-3933	1
DAMPER (Ref # 92161)	92161-3756	6
DAMPER (Ref # 92161A)	92161-3757	2