

# 2001 Vulcan 1500 Classic Fi

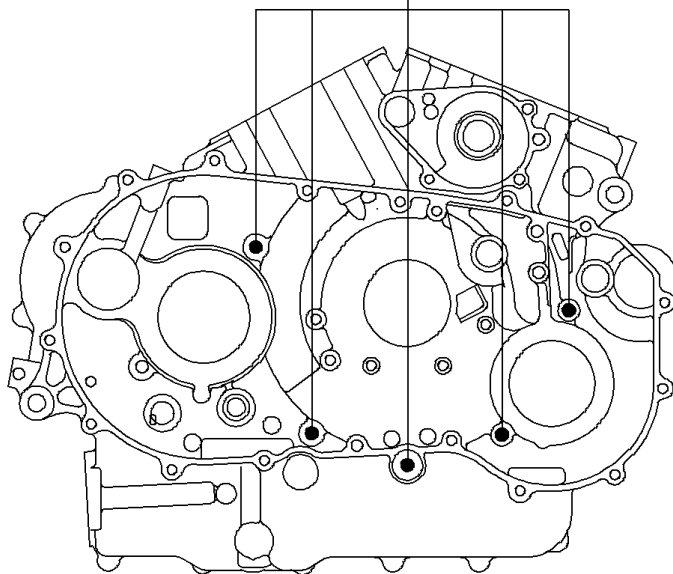
## PARTS DIAGRAM

### Crankcase Bolt Pattern

E1412

RH (Out Side)

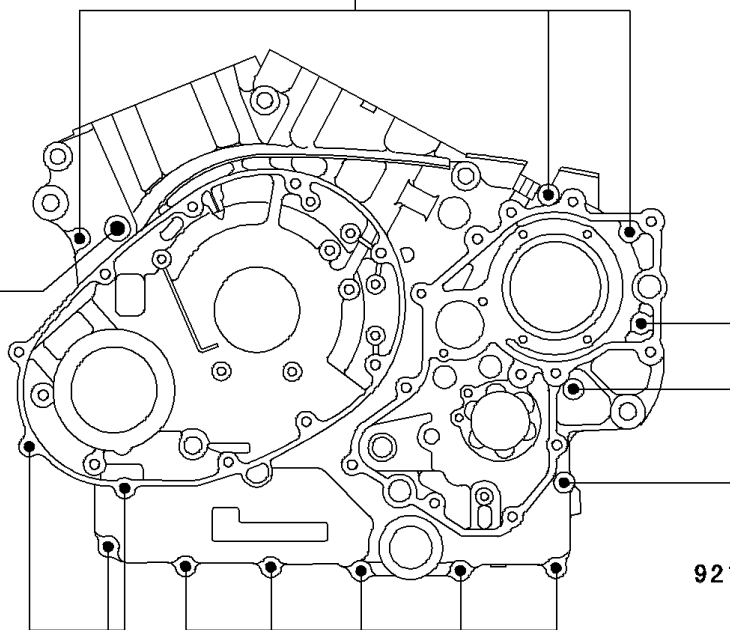
92150A



LH (Out Side)

92150

92150A



92150

92002A

92002

# 2001 Vulcan 1500 Classic Fi

## PARTS LIST

### Crankcase Bolt Pattern

**ITEM NAME**

**PART NUMBER**

**QUANTITY**

---