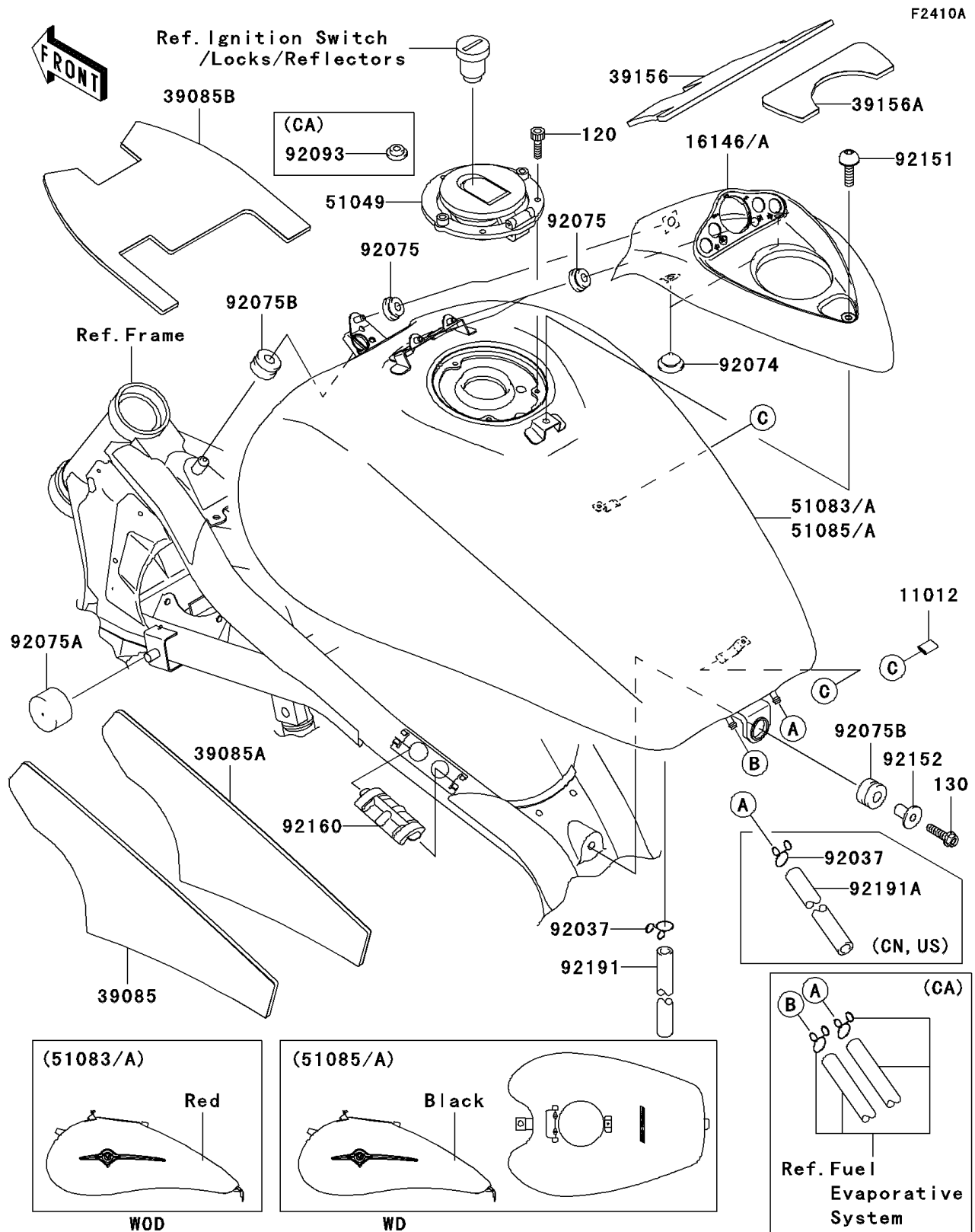


# 2008 Vulcan® 1600 Mean Streak®

## PARTS DIAGRAM

### Fuel Tank(5/5)(B8F/B8FA)



# 2008 Vulcan® 1600 Mean Streak®

**Kawasaki**  
Let the Good Times Roll®

## PARTS LIST

### Fuel Tank(5/5)(B8F/B8FA)

ITEM NAME	PART NUMBER	QUANTITY
CAP (Ref # 11012)	11012-1725	2
PAD-TANK,FUEL TANK,LH (Ref # 39085)	39085-1065	1
PAD-TANK,FUEL TANK,RH (Ref # 39085A)	39085-1066	1
PAD-TANK,FUEL TANK,CNT (Ref # 39085B)	39085-1067	1
PAD,FUEL TANK COVER,FR (Ref # 39156)	39156-1700	1
PAD,FUEL TANK COVER,RR (Ref # 39156A)	39156-1701	1
CAP-TANK,FUEL (Ref # 51049)	51049-0019	1
PLUG,7X2 (Ref # 92074)	92074-028	2
DAMPER (Ref # 92075)	92075-1011	3
DAMPER,FUEL TANK (Ref # 92075A)	92075-125	2
DAMPER (Ref # 92075B)	92075-1736	2
BOLT,SOCKET,6X12 (Ref # 92151)	92151-1940	1
COLLAR (Ref # 92152)	92152-1393	1
DAMPER,FUEL TANK (Ref # 92160)	92160-1751	2
TUBE,DRAIN (Ref # 92191)	92191-1272	1
BOLT-SOCKET,5X12 (Ref # 120)	120S0512	3
BOLT-FLANGED,8X30 (Ref # 130)	130H0830	1
COVER-ASSY,FUEL TANK (Ref # 16146)	16146-0006	1
COVER-ASSY,FUEL TANK,M.D,BLACK (Ref # 16146A)	16146-0034-17K	1
TANK-COMP-FUEL,C.F.RED (Ref # 51083)	51083-5351-816	1
TANK-COMP-FUEL,C.F.RED (Ref # 51083A)	51083-5352-816	1
TANK-COMP-FUEL,M.D,BLACK (Ref # 51085)	51085-5306-17K	1
CLAMP,TUBE (Ref # 92037)	92037-147	1
CLAMP,TUBE (Ref # 92037)	92037-147	2
SEAL,FUEL TANK CAP (Ref # 92093)	92093-1030	1
TUBE,5X10X650 (Ref # 92191A)	92191-1529	1