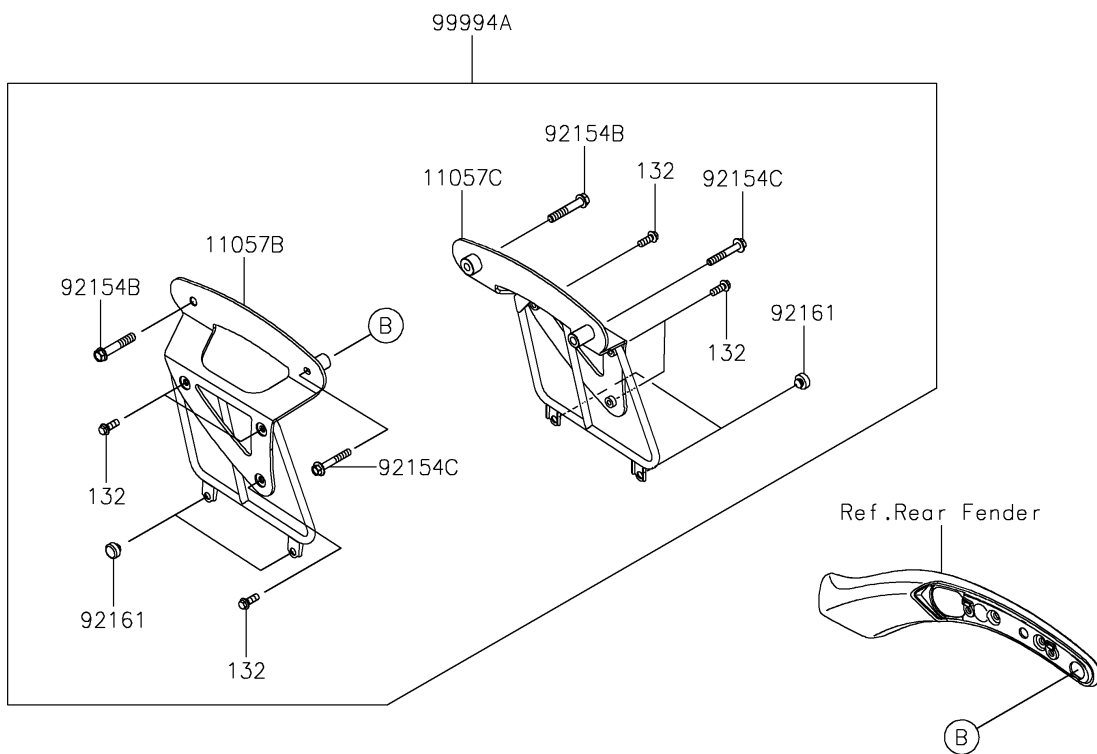
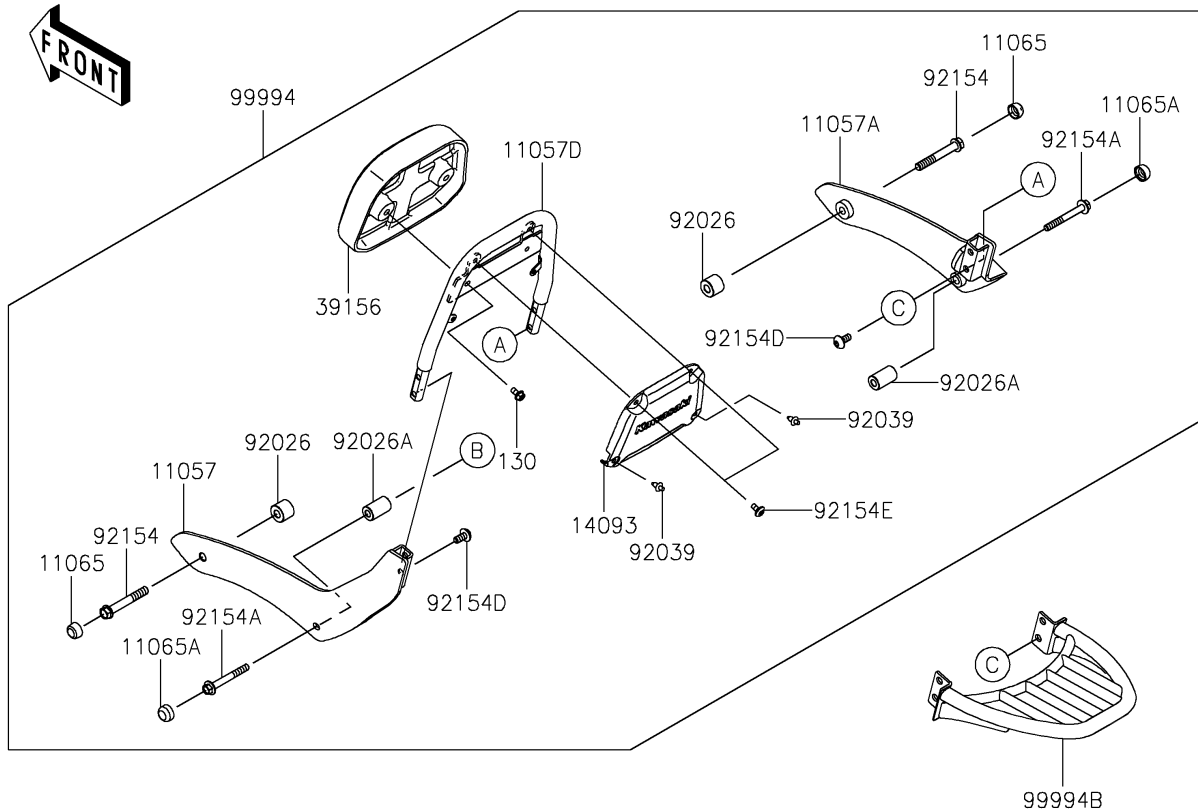


# 2023 Vulcan® S ABS

## PARTS DIAGRAM

### Accessory(Passenger Backrest)

F2910N



# 2023 Vulcan<sup>®</sup> S ABS

## PARTS LIST

Accessory(Passenger Backrest)

**ITEM NAME**

**PART NUMBER**

**QUANTITY**

---