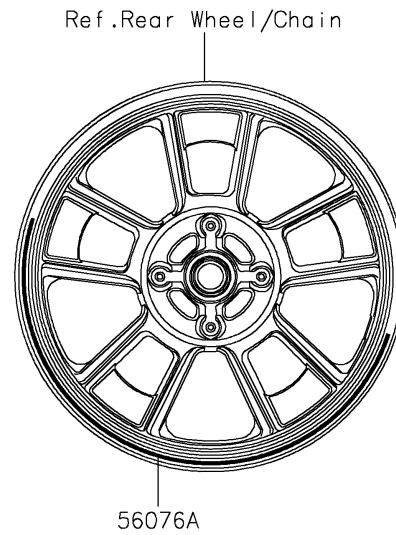
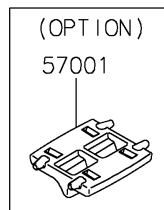
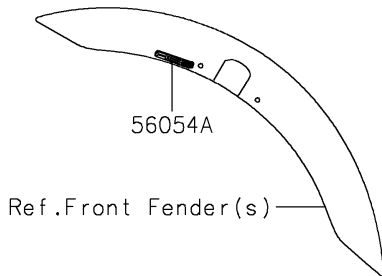
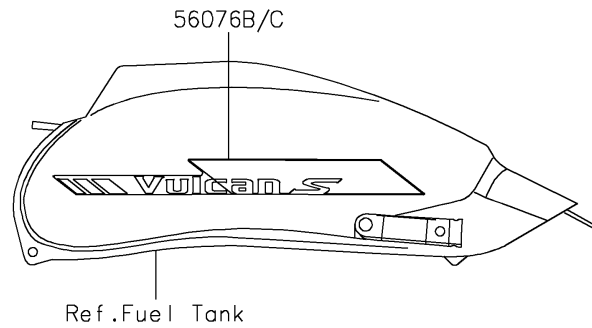
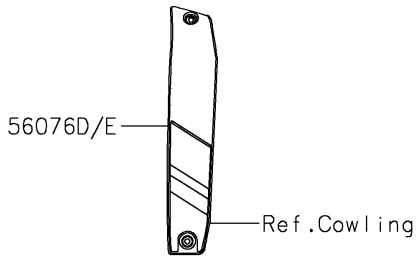
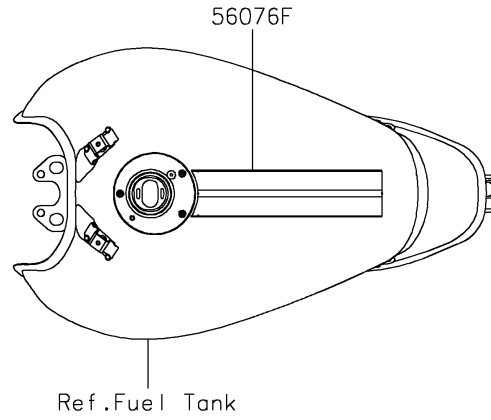
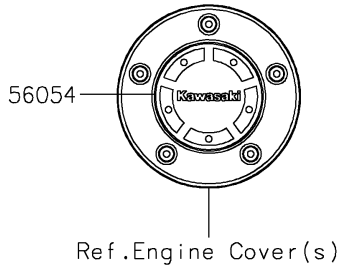


# 2023 VULCAN® S

## PARTS DIAGRAM

Decals(Gray)(DPFAN)(CN)

F2861C



# 2023 VULCAN® S

## PARTS LIST

Decals(Gray)(DPFAN)(CN)

ITEM NAME	PART NUMBER	QUANTITY
MARK,CLUTCH COVER,KAWASAKI (Ref # 56054)	56054-1728	1
MARK,FR FENDER,ABS (Ref # 56054A)	56054-1879	2
PATTERN,FR WHEEL,GREEN,6X1497 (Ref # 56076)	56076-3999	2
PATTERN,RR WHEEL,GREEN,6X1425 (Ref # 56076A)	56076-4000	2
PATTERN,FUEL TANK,LH (Ref # 56076B)	56076-7657	1
PATTERN,FUEL TANK,RH (Ref # 56076C)	56076-7658	1
PATTERN,SHROUD COVER,LH (Ref # 56076D)	56076-7659	1
PATTERN,SHROUD COVER,RH (Ref # 56076E)	56076-7660	1
PATTERN,FUEL TANK,UPP (Ref # 56076F)	56076-7755	1
RIM STRIPE APPLICATOR (Ref # 57001)	57001-1752	AR