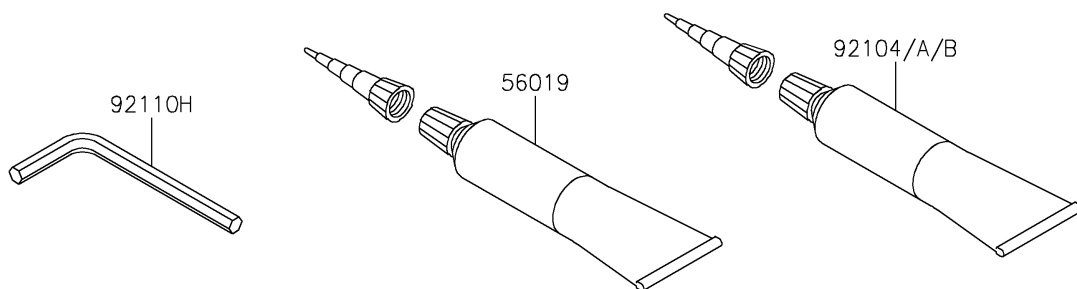
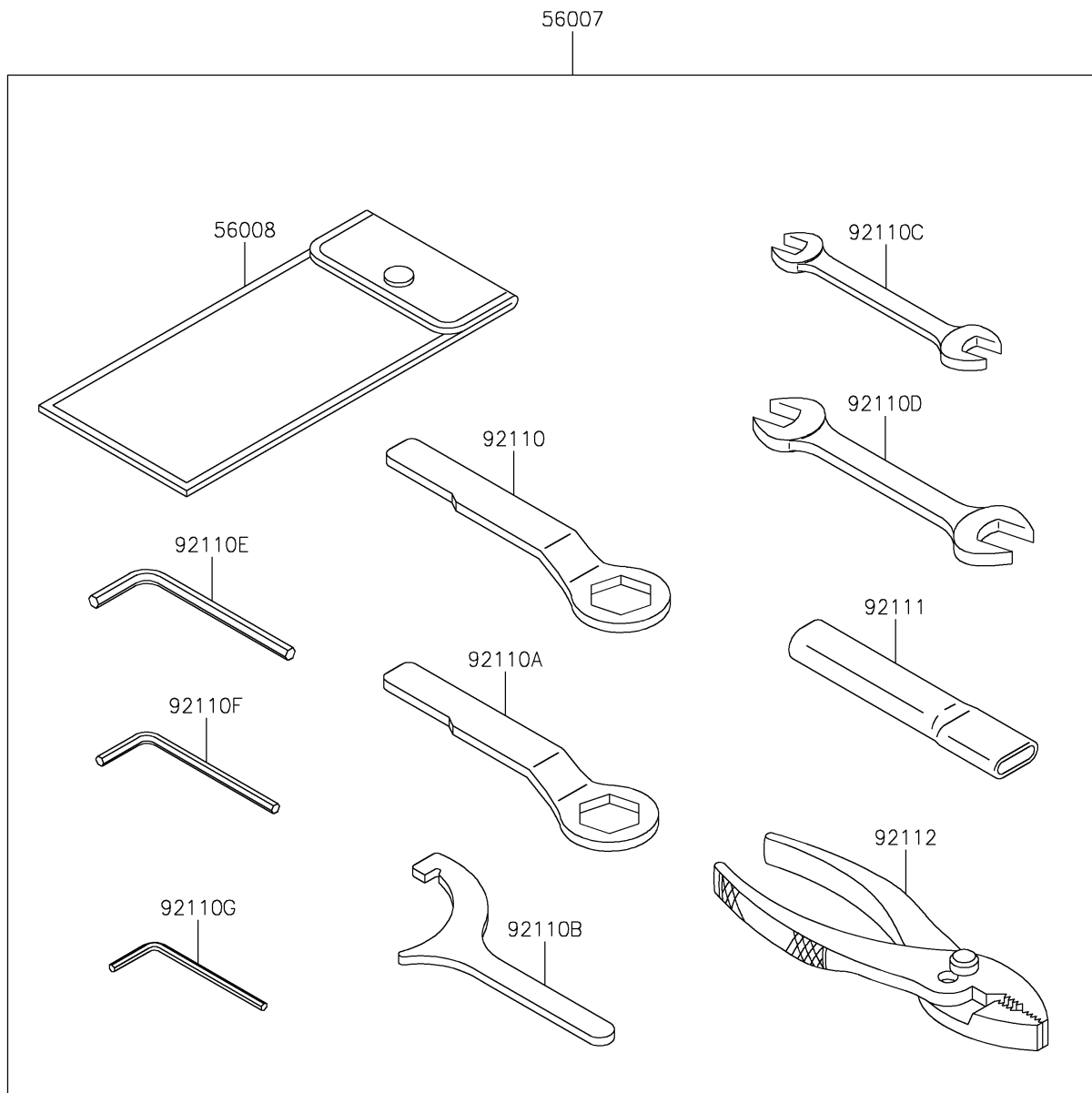


2023 Vulcan® S ABS

PARTS DIAGRAM

Owner's Tools

F2810



2023 Vulcan[®] S ABS

PARTS LIST

Owner's Tools

ITEM NAME

PART NUMBER

QUANTITY
