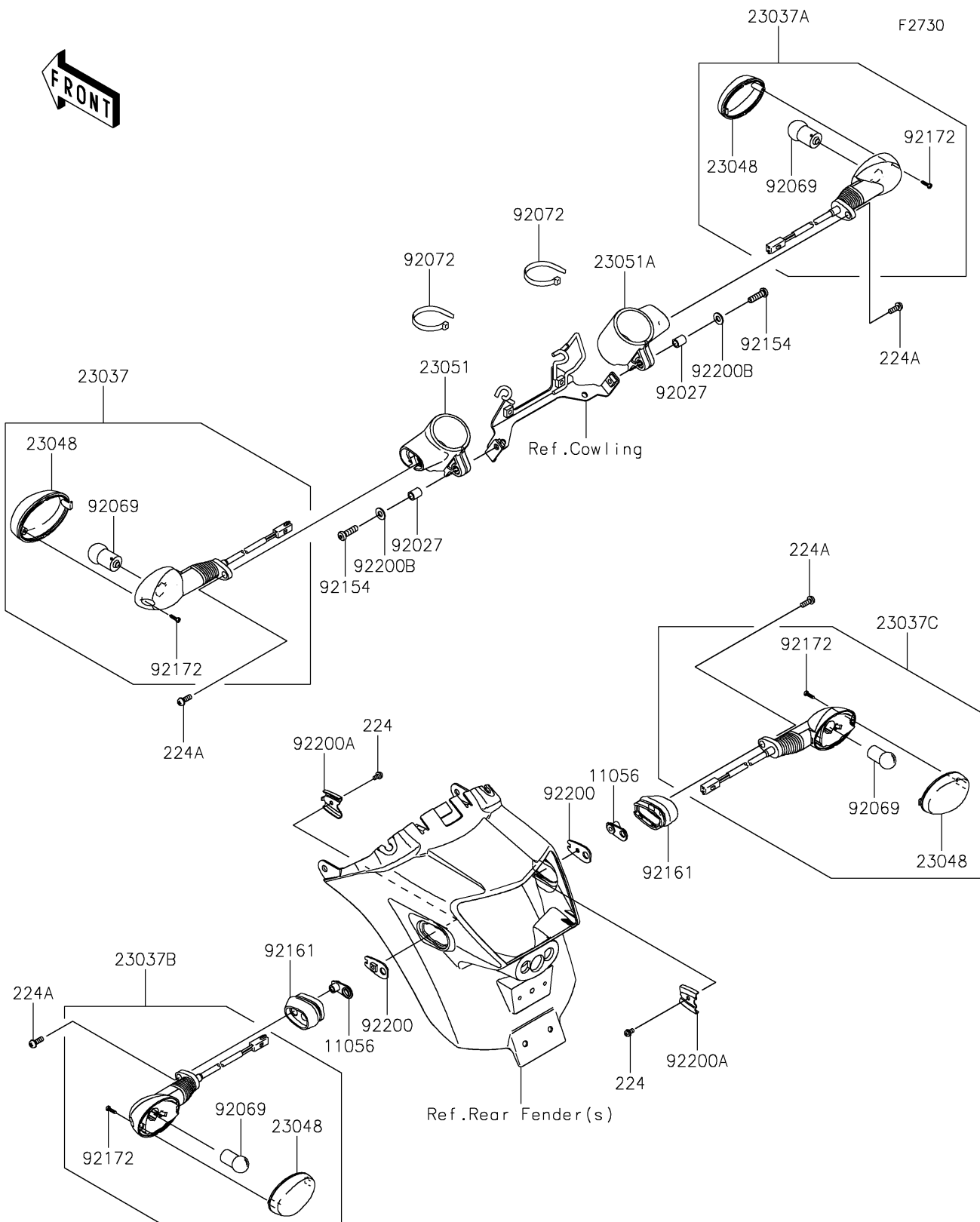


2023 Vulcan® S ABS

PARTS DIAGRAM

Turn Signals



2023 Vulcan[®] S ABS

PARTS LIST

Turn Signals

ITEM NAME

PART NUMBER

QUANTITY
