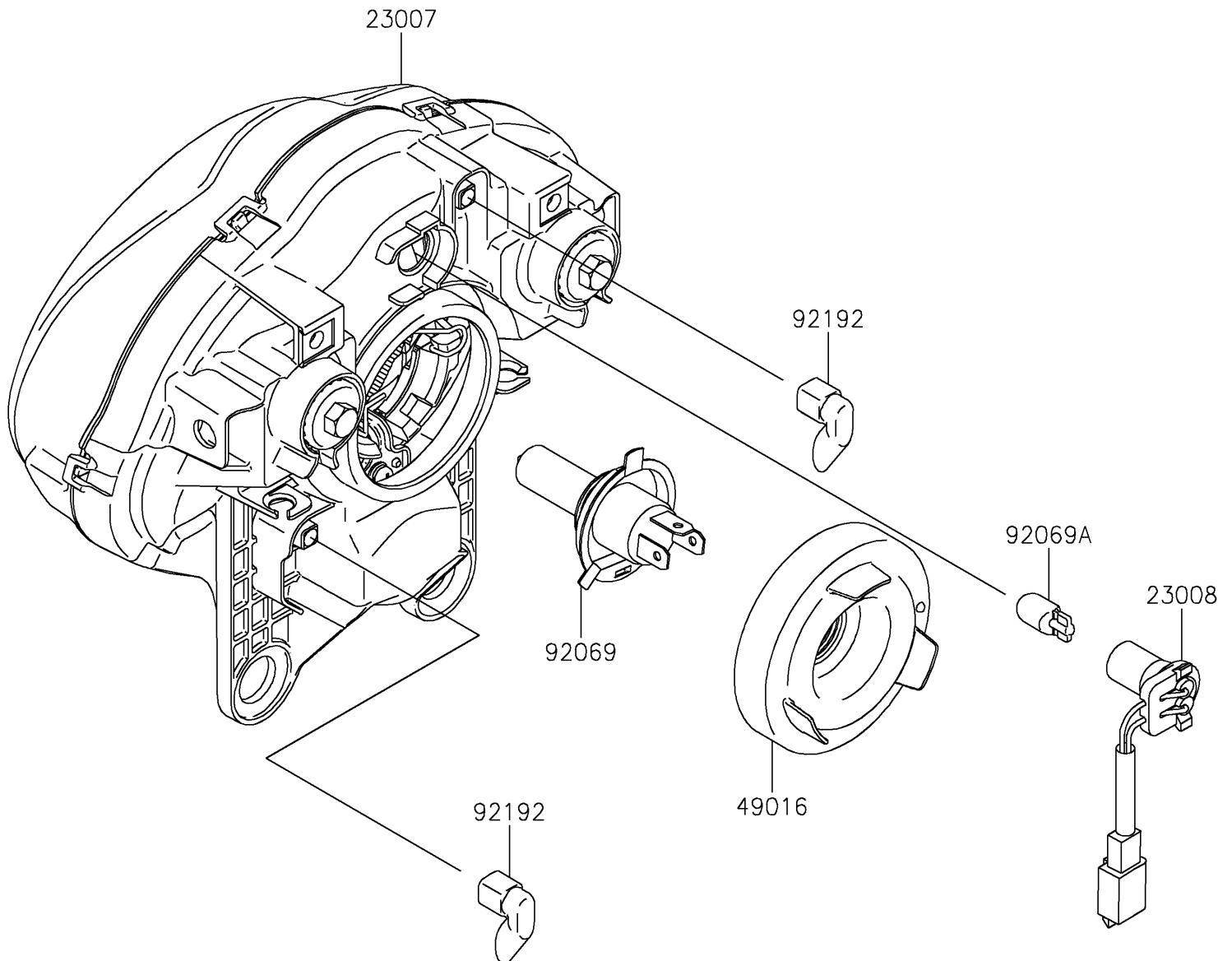


2023 Vulcan® S ABS

PARTS DIAGRAM

Headlight(s)

F2710



2023 Vulcan[®] S ABS

PARTS LIST

Headlight(s)

ITEM NAME

PART NUMBER

QUANTITY
