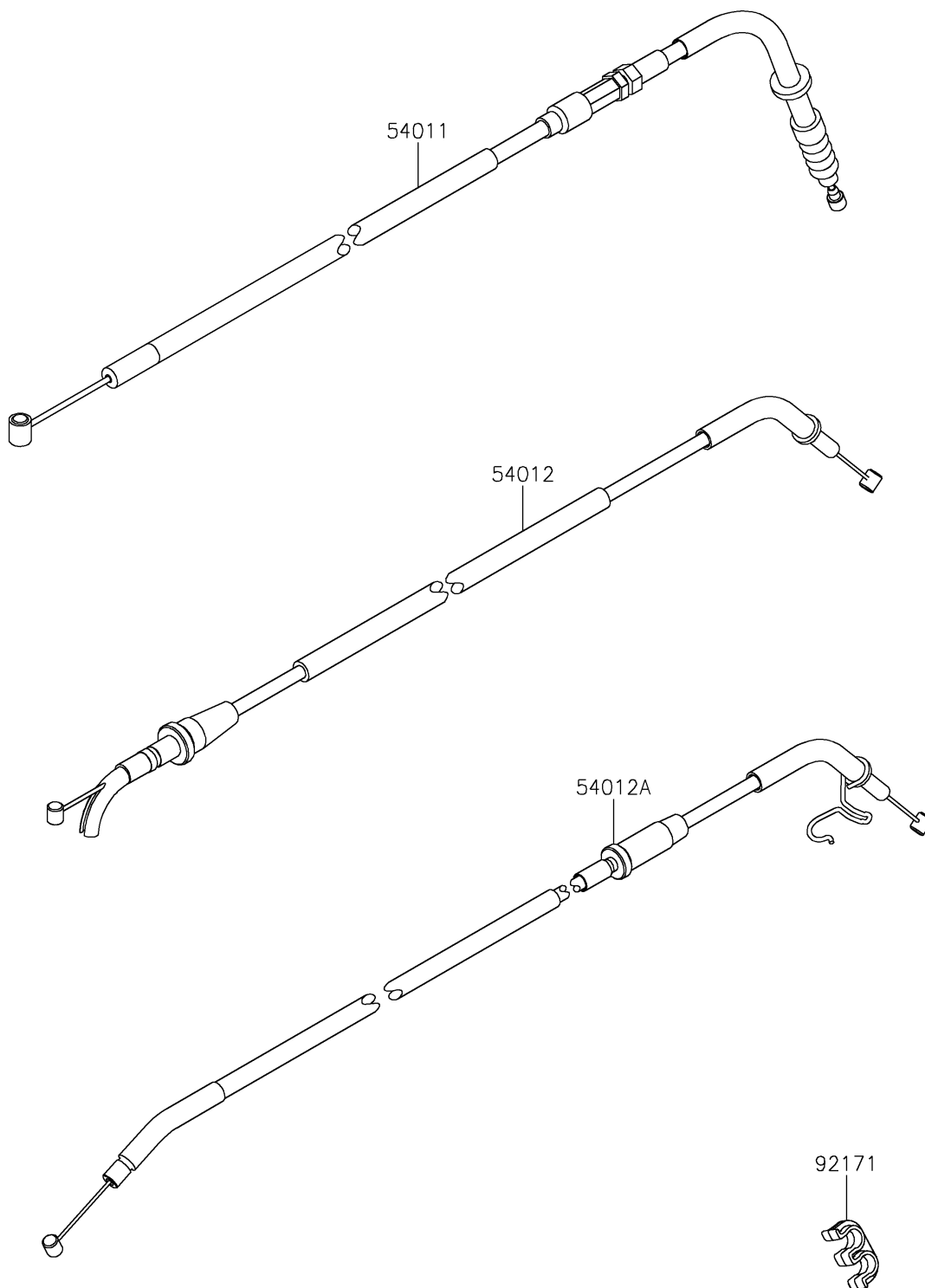


# 2023 Vulcan<sup>®</sup> S ABS

## PARTS DIAGRAM

### Cables

F2540



# 2023 Vulcan<sup>®</sup> S ABS

## PARTS LIST

### Cables

**ITEM NAME**

**PART NUMBER**

**QUANTITY**

---