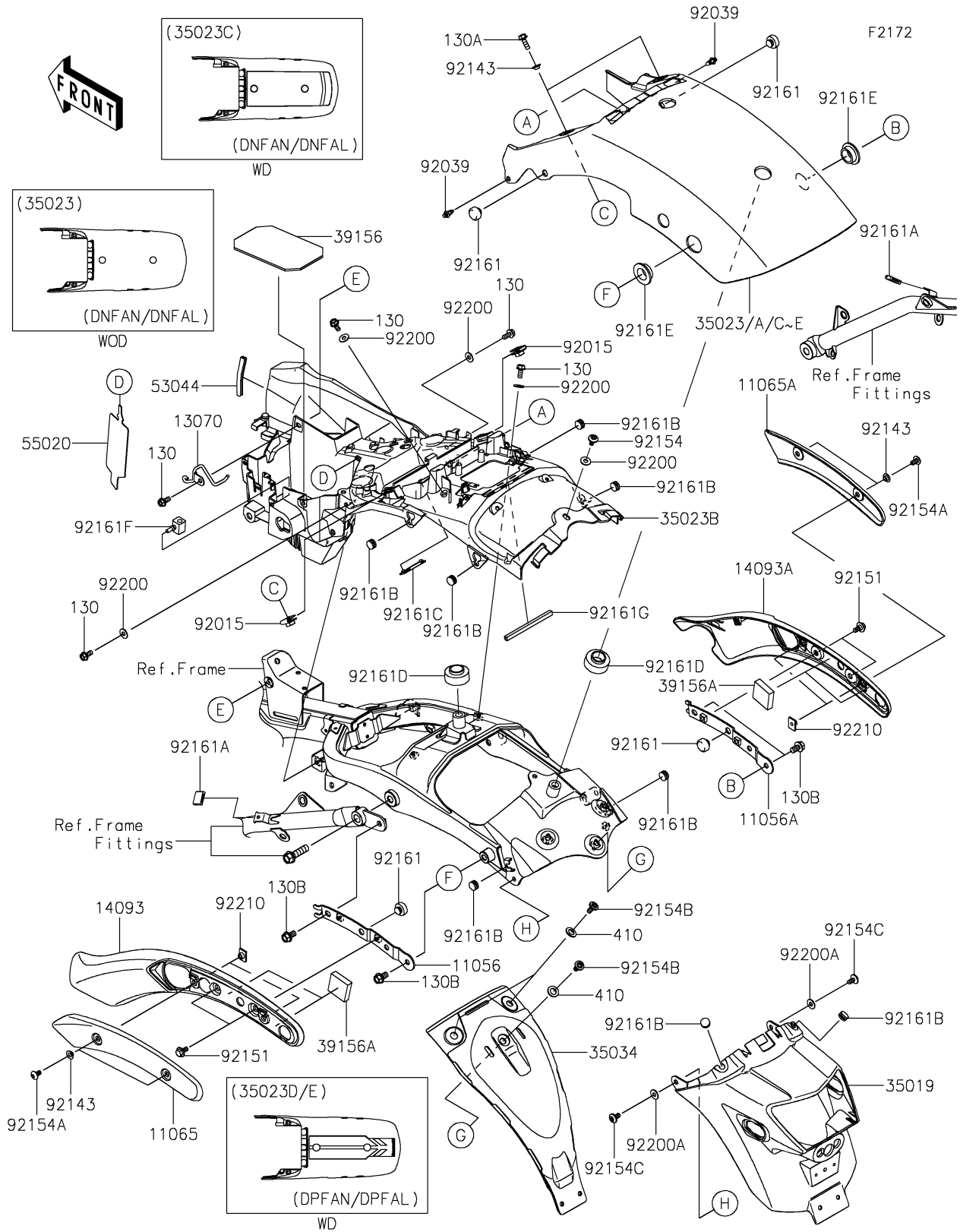


# 2023 Vulcan® S ABS

## PARTS DIAGRAM

### Rear Fender(s)



# 2023 Vulcan<sup>®</sup> S ABS

## PARTS LIST

Rear Fender(s)

**ITEM NAME**

**PART NUMBER**

**QUANTITY**

---