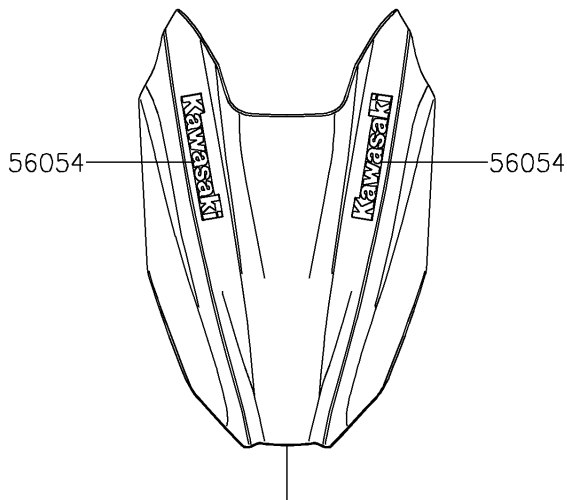


# 2022 JET SKI® STX® 160

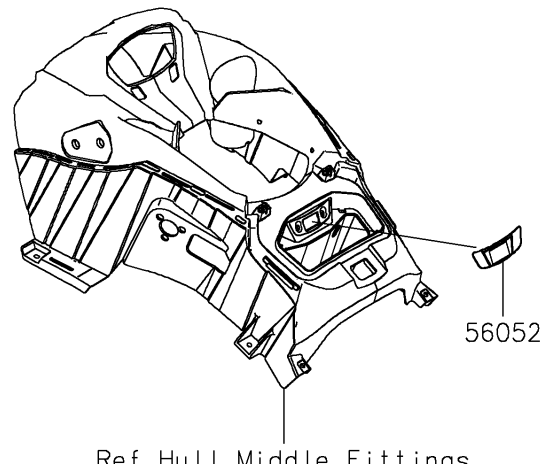
## PARTS DIAGRAM

### Decals(RNFNN)

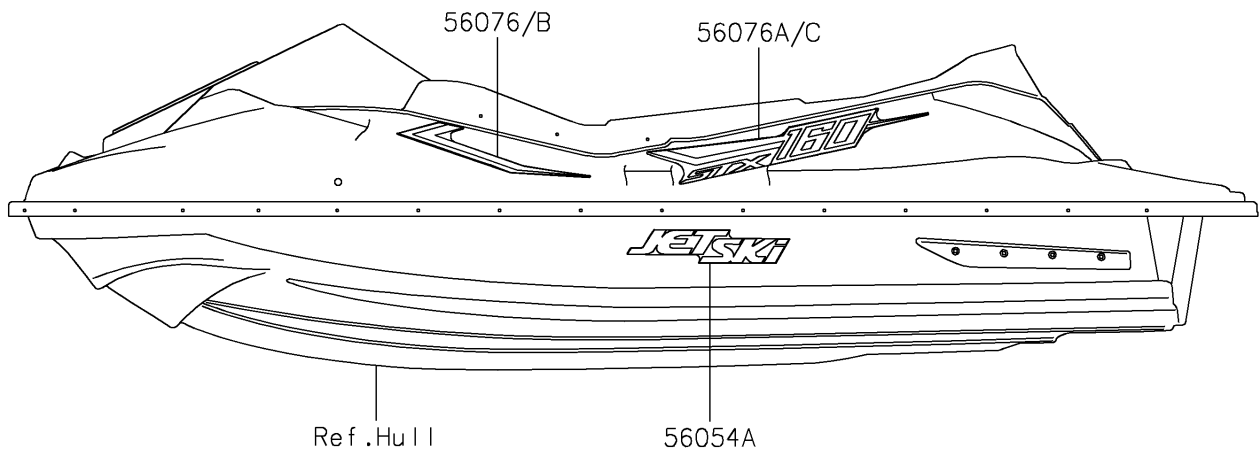
F3880A



Ref.Hull Front Fittings



Ref.Hull Middle Fittings



# 2022 JET SKI® STX® 160

## PARTS LIST

### Decals(RNFNN)

ITEM NAME	PART NUMBER	QUANTITY
MARK,IMMOBILIZER (Ref # 56052)	56052-3878	1
MARK,HATCH COVER,KAWASAKI (Ref # 56054)	56054-2681	2
MARK,HULL,JETSKI (Ref # 56054A)	56054-2682	2
PATTERN,DECK,LH,FR (Ref # 56076)	56076-2359	1
PATTERN,DECK,LH,RR (Ref # 56076A)	56076-2360	1
PATTERN,DECK,RH,FR (Ref # 56076B)	56076-2361	1
PATTERN,DECK,RH,RR (Ref # 56076C)	56076-2362	1