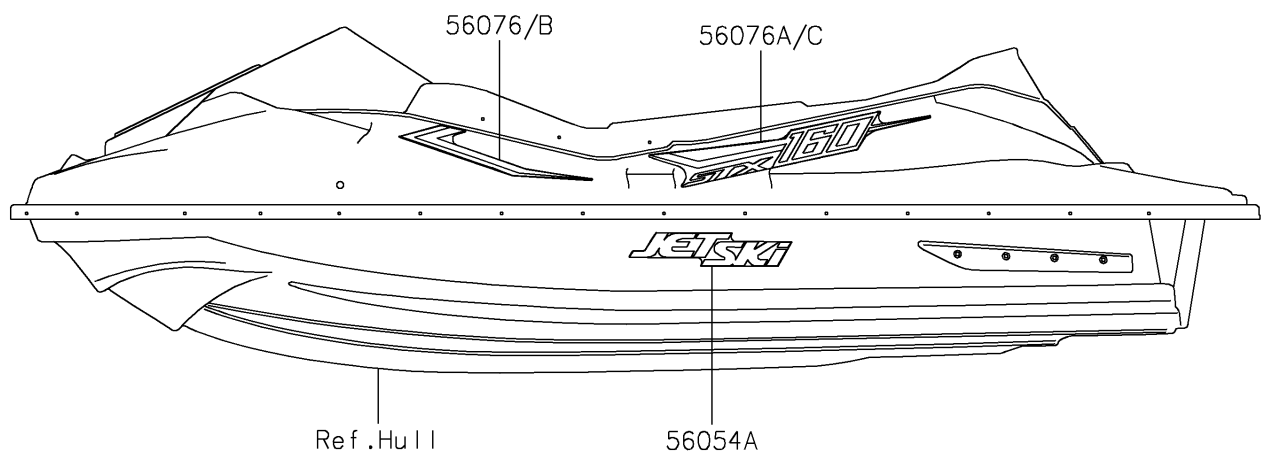
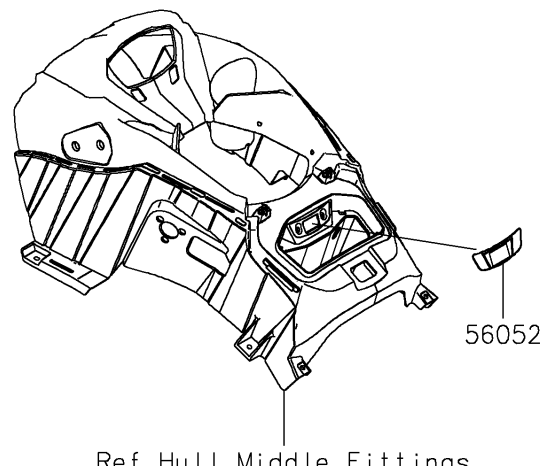
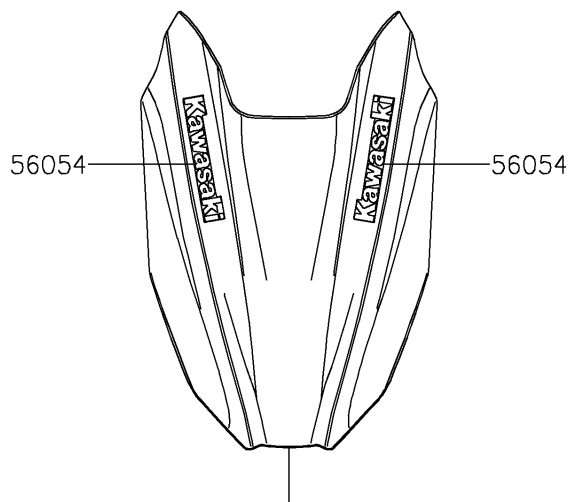


2021 JET SKI® STX®160

PARTS DIAGRAM

Decals(RMFNN)

F3880



2021 JET SKI® STX®160

PARTS LIST

Decals(RMFNN)

ITEM NAME	PART NUMBER	QUANTITY
MARK,IMMOBILIZER (Ref # 56052)	56052-3878	1
MARK,HATCH COVER,KAWASAKI (Ref # 56054)	56054-2681	2
MARK,HULL,JETSKI (Ref # 56054A)	56054-2682	2
PATTERN,DECK,LH,FR (Ref # 56076)	56076-0749	1
PATTERN,DECK,LH,RR (Ref # 56076A)	56076-0750	1
PATTERN,DECK,RH,FR (Ref # 56076B)	56076-0751	1
PATTERN,DECK,RH,RR (Ref # 56076C)	56076-0752	1