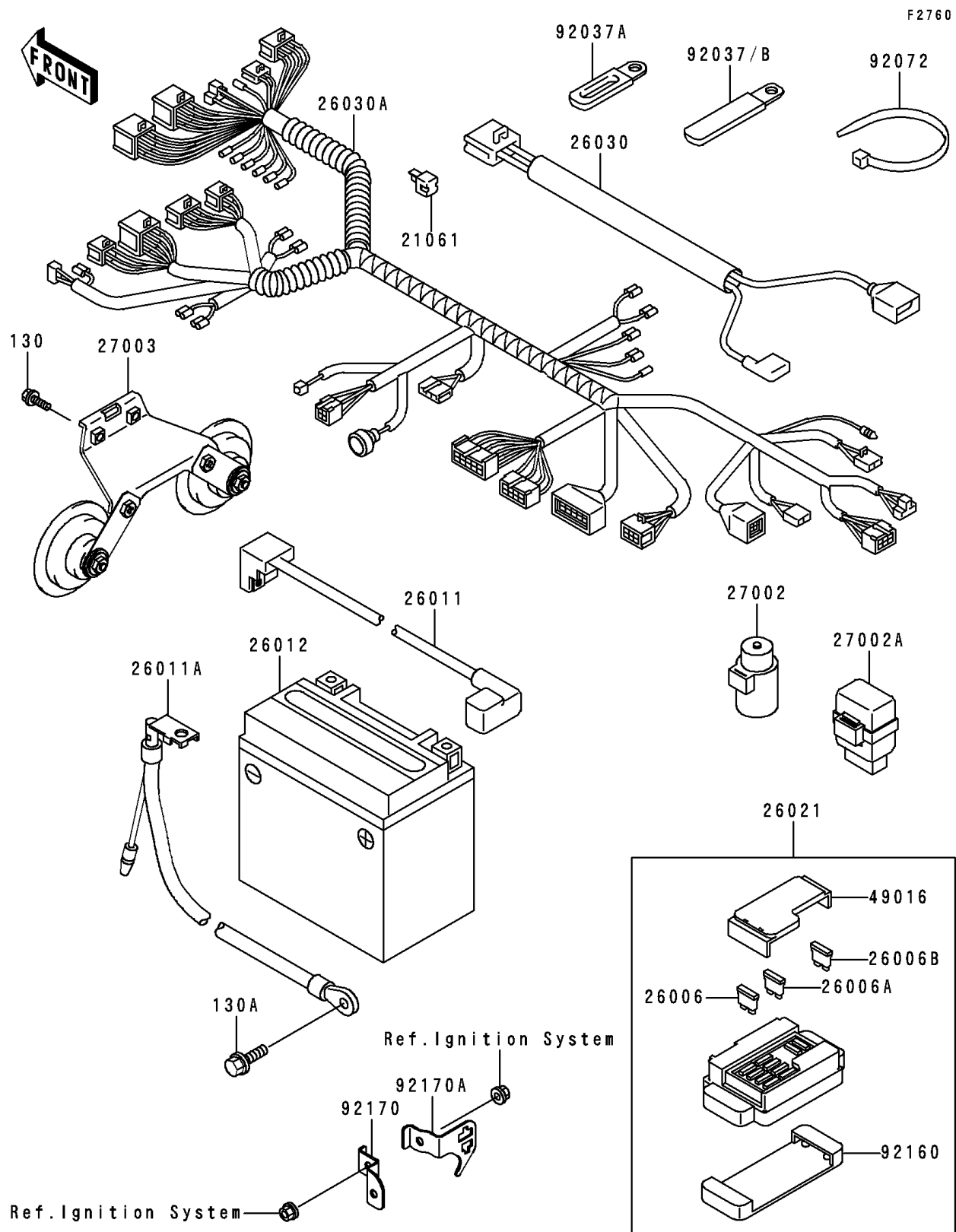


# 2000 Vulcan 1500 Nomad Fi

## PARTS DIAGRAM

### Chassis Electrical Equipment



# 2000 Vulcan 1500 Nomad Fi

## PARTS LIST

### Chassis Electrical Equipment

**ITEM NAME**

**PART NUMBER**

**QUANTITY**

---