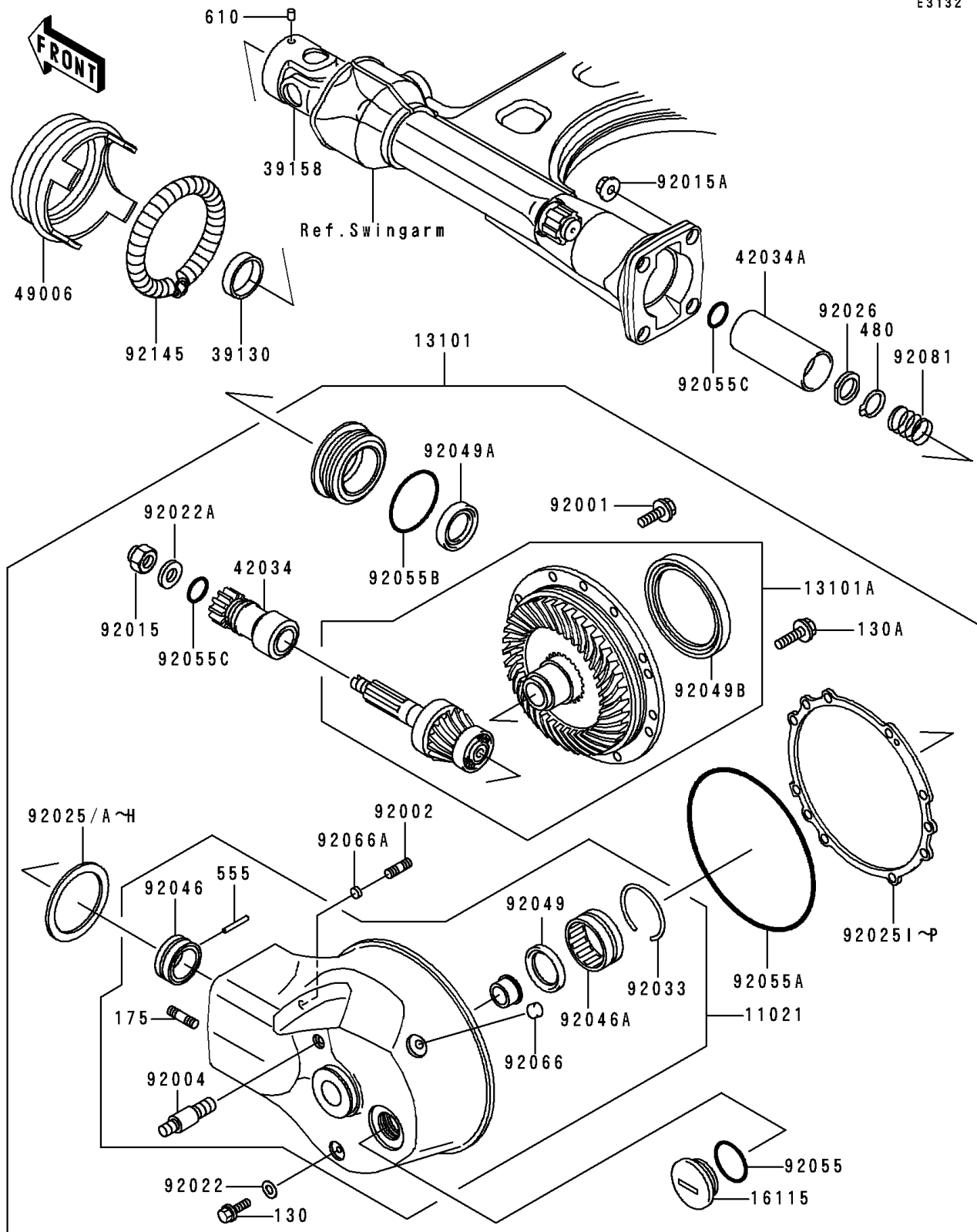


2000 Vulcan 1500 Nomad Fi

PARTS DIAGRAM

Drive Shaft/Final Gear

E3132



2000 Vulcan 1500 Nomad Fi

PARTS LIST

Drive Shaft/Final Gear

ITEM NAME

PART NUMBER

QUANTITY
