

2022 MULE PRO-FXT™ RANCH EDITION PLATINUM

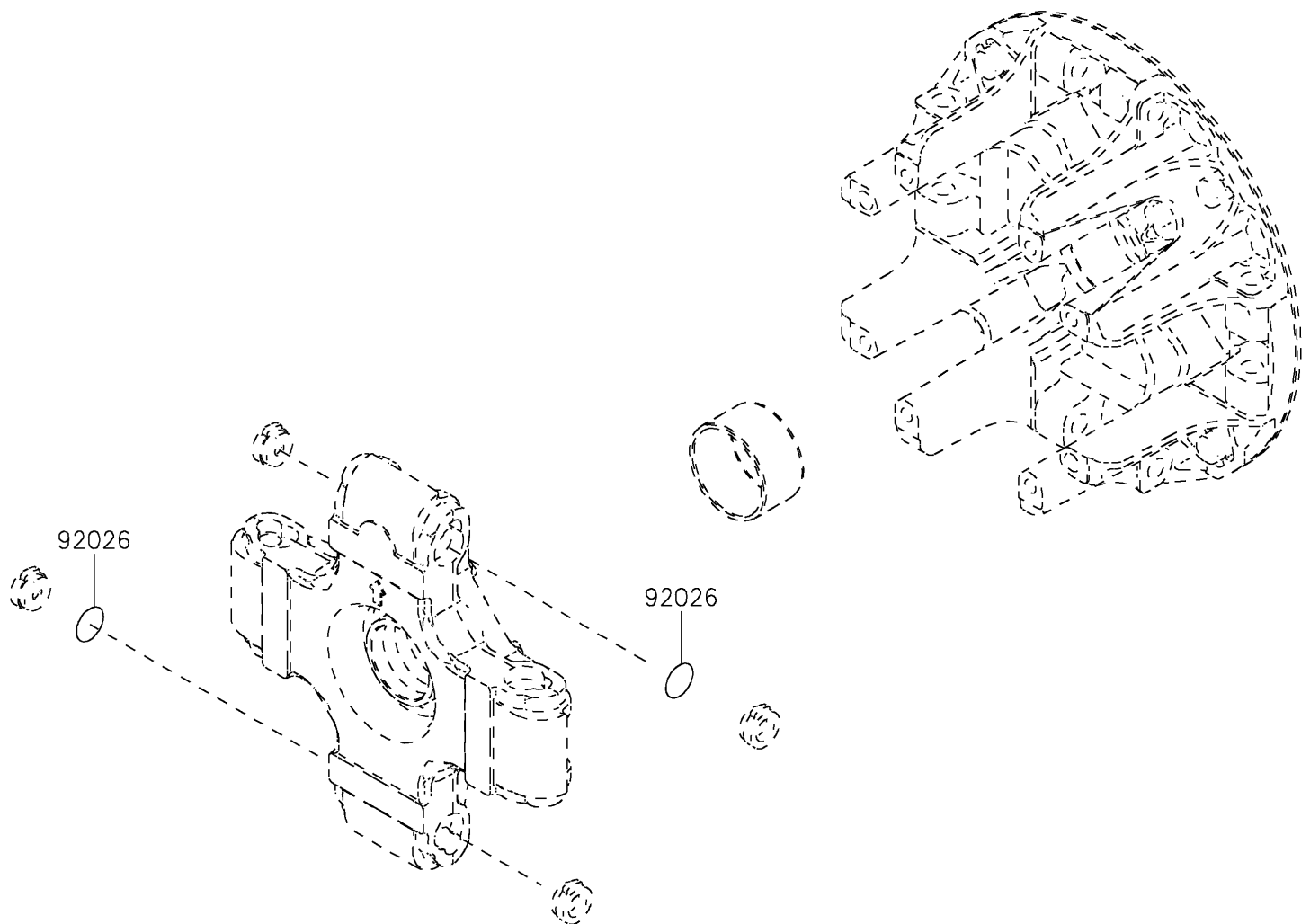
PARTS DIAGRAM

Optional Parts

F2890



(Ref. Drive Converter)



2022 MULE PRO-FXT™ RANCH EDITION PLATINUM



PARTS LIST Optional Parts

ITEM NAME	PART NUMBER	QUANTITY
-----------	-------------	----------
