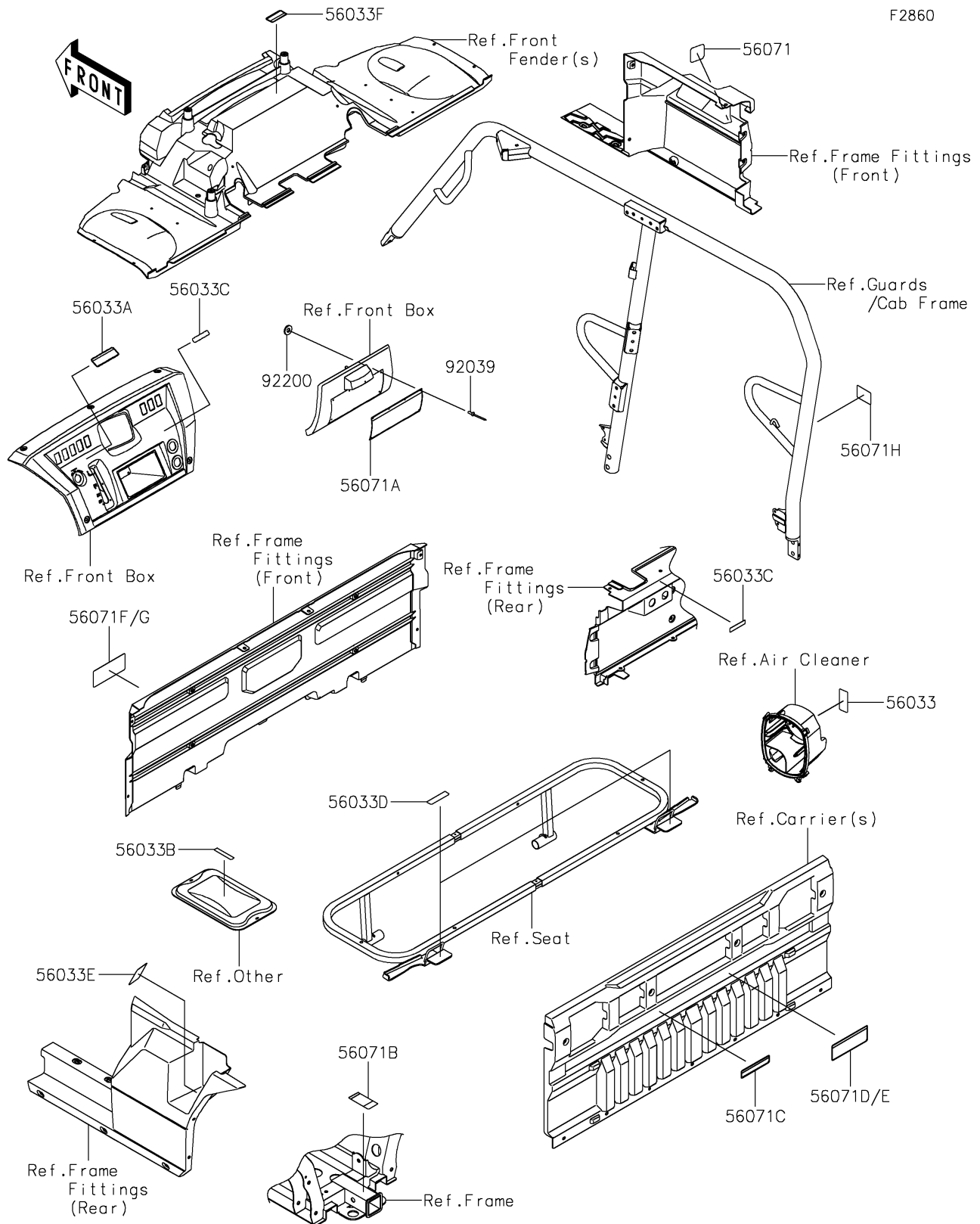


# 2022 MULE PRO-FXT™ RANCH EDITION PLATINUM

## PARTS DIAGRAM

### Labels



# 2022 MULE PRO-FXT™ RANCH EDITION PLATINUM



## PARTS LIST

### Labels

ITEM NAME	PART NUMBER	QUANTITY
-----------	-------------	----------

---